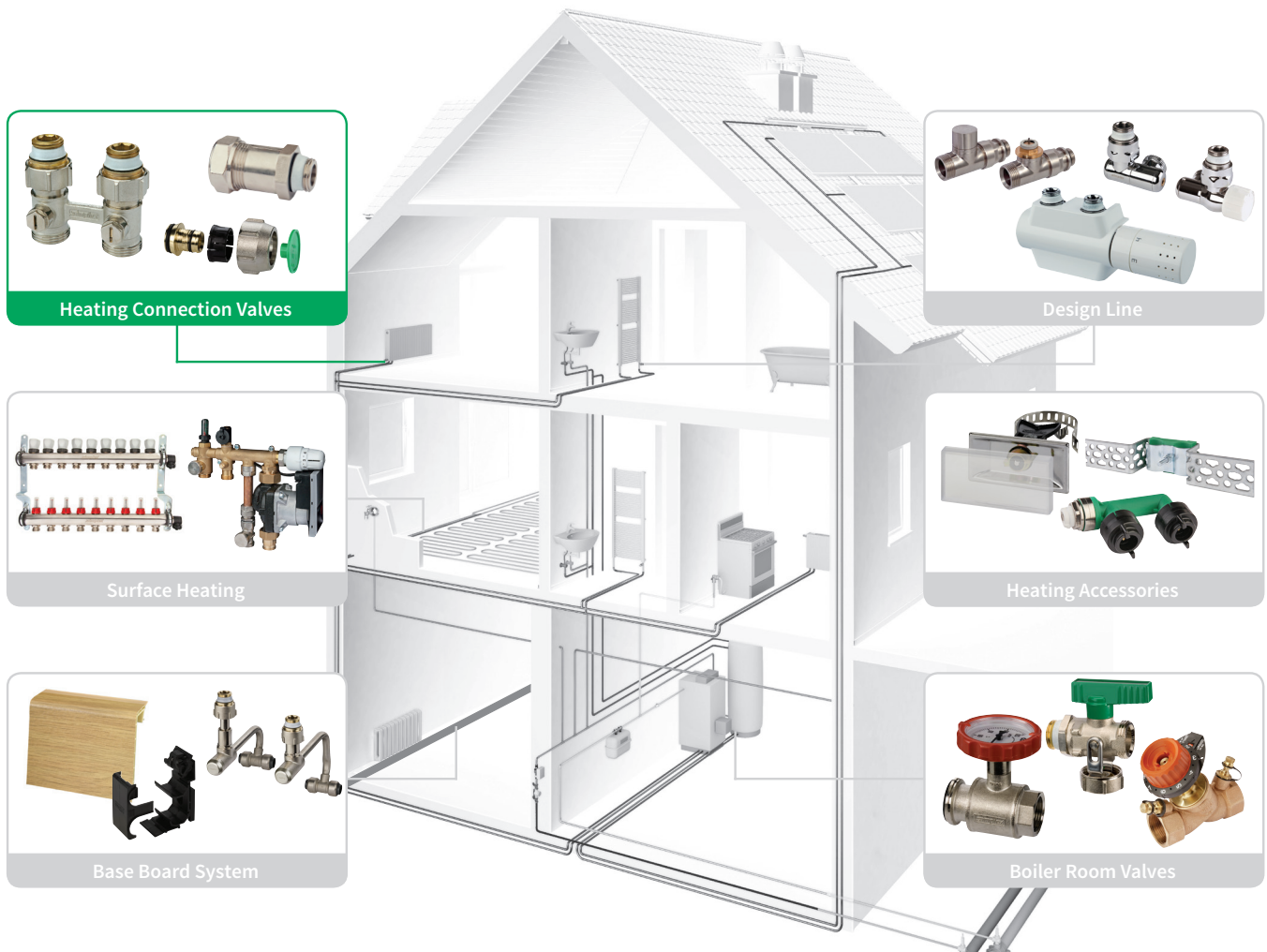




Connection Valves for Every Application

- Screw-in, push-fit or clamp on
- Problem-solvers for tricky situations
- Ultra-versatile

Simplex Products at a Glance



Connection Valves with Push-fit, Screw or Clamp Connections

The Simplex range provides connection valves for radiators with integrated valves for almost every application: single-pipe or two-pipe installations, with or without drain. Whether inverted connections or high mounted radiators - our 'problem-solvers' are the right products for every tricky situation. Simplex connection valves are suitable for use with radiators from all leading manufacturers.

The Simplex Valve Range includes the Following:

- ◆ H-modules for one- or two-pipe systems, single valves
- ◆ H-modules with telescope adjustment
- ◆ Valves with continuously swivelling connections
- ◆ Reversers with shut-off for inverted supply and return flow
- ◆ Design covers

| Connection Valves for Every Application



Product Benefits at a Glance:

- ◆ Connection valves with shut-off valve
- ◆ A wide range of connection options
- ◆ Convenience installation
- ◆ Universal solutions
- ◆ Height and depth adjustment
- ◆ Design covers for a perfect appearance

Discover the Diversity of our H-modules

Simplex H-modules

Series 1: With self-sealing connection nipples for radiators with integrated valve with Rp 1/2 H-module connection.

Series 2: With cone inserts for radiators with integrated valve, with G3/4m H-module connection.

50 mm axial distance

EXCLUSIV H-module

With ball shut-off, control head with concealed stop, for connection with compression adapters.



Series 1

Article no.	Version	Dimensions
F10010	Straight	G3/4f x G3/4m Euro taper
F10012	Angle	G3/4f x G3/4m Euro taper



Series 2

Article no.	Version	Dimensions
F10014	Straight	G3/4f x G3/4m Euro taper
F10016	Angle	G3/4f x G3/4m Euro taper

EXCLUSIV Single Valve

With ball shut-off, control head with concealed stop.



Series 1 with G3/4m Euro taper.

Article no.	Version	Dimensions
F10018	Straight	G3/4f x G3/4m Euro taper
F10019	Angle	G3/4f x G3/4m Euro taper



Series 1 with Rp1/2

Article no.	Version	Dimensions
F10022	Straight	G3/4f x Rp1/2
F10023	Angle	G3/4f x Rp1/2



Series 2 with G3/4m Euro taper

Article no.	Version	Dimensions
F10020	Straight	G3/4f x G3/4m Euro taper
F10021	Angle	G3/4f x G3/4m Euro taper



Series 2 with Rp1/2

Article no.	Version	Dimensions
F10024	Straight	G3/4f x Rp1/2
F10025	Angle	G3/4f x Rp1/2

EXCLUSIV H-module with Telescope Adjustment

Telescopic connection valve with up to 25 mm height adjustment, with ball shut-off, control head with concealed stop, for connection with compression adapters. With self-sealing connection nipples and cone inserts.



Article no.	Version	Dimensions
F10084	Straight	G3/4f x G3/4m Euro taper
F10086	Angle	G3/4f x G3/4m Euro taper

Design H-module Set with EXCLUSIV H-module

Consisting of EXCLUSIV H-module and design cover in white (similar to RAL 9016), plastic with polished finish. With self-sealing connection nipples and cone inserts.



Article no.	Version	Dimensions
F10484	Straight	G3/4f x G3/4m Euro taper
F10486	Angle	G3/4f x G3/4m Euro taper

TECTITE H-module with Push-fit Connection

With integrated TECTITE push-fit connection, for copper (blank and chrome-plated), stainless steel and carbon steel pipes, with ball shut-off, control head with concealed stop. With self-sealing connection nipples and cone inserts.



Article no.	Version	Dimensions
F10009	Straight	G3/4f x 15 mm
F10029	Angle	G3/4f x 15 mm

TECTITE H-module with Telescope Adjustment

Telescopic connection valve with up to 25 mm height adjustment, with integrated TECTITE push-fit connection for copper (blank and chrome-plated), stainless steel and carbon steel pipes, with ball shut-off, control head with concealed stop.

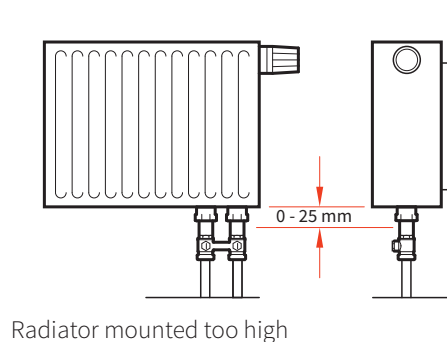
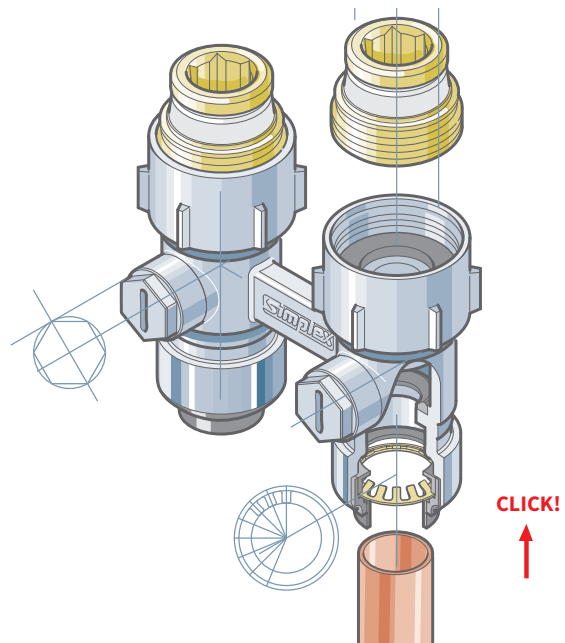
With self-sealing connection nipples and cone inserts.



Article no.	Version	Dimensions
F10081	Straight	G3/4f x 15 mm
F10083	Angle	G3/4f x 15 mm

TECTITE H-module

Ideal for the time-saving installation of radiators without compression adapters: the connection valves and the copper, stainless steel or carbon steel pipes are simply pushed together and, if necessary, can be dismantled and re-used without the need for special tools.



Connection Valves with Drain

VARIOCON N Connection Valve



Series 1	Series 2	Version	Dimensions
Article no.	Article no.	Straight and angle	G3/4f x G3/4m Euro taper
F12001	F12002		

VARIOCON FE Connection Valve

Drain or fill without an adapter by simply screwing on a standard hose connection



Series 1	Series 2	Version	Dimensions
Article no.	Article no.	Straight and angle	G3/4f x G3/4m Euro taper
F12003	F12004		

VARIOCON U Connection Valve

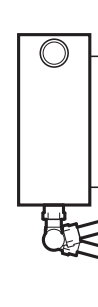
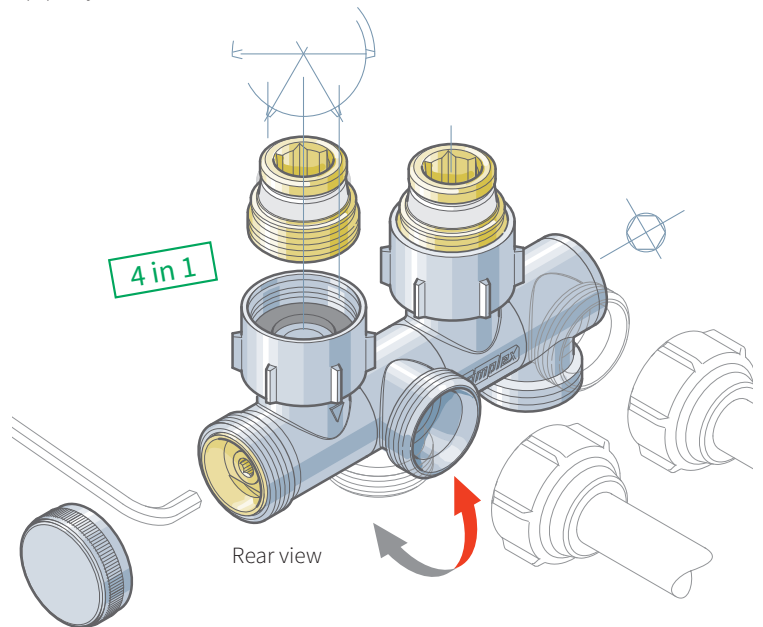
Drain or fill without an adapter, for single-pipe (25 - 100 % radiator supply ratio) or two-pipe systems



Series 1	Series 2	Version	Dimensions
Article no.	Article no.	Straight and angle	G3/4f x G3/4m Euro taper
F10026	F10027		

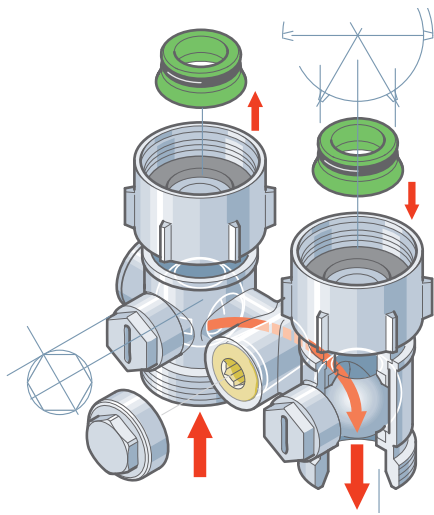
VARIOCON Connection Valves

- ◆ Ease of storage thanks to infinitely variable swivel connections for angle and straight connections
- ◆ For right or left-handed installation
- ◆ Attractive appearance – thanks to its slim shape, the connection valve is scarcely visible under the radiator
- ◆ Shut-off
- ◆ For connection with compression adapters
- ◆ 50 mm axial distance
- ◆ 25 mm axial offset
- ◆ Two-pipe systems



4 installation versions:
infinitely pivoting connection;
left or right-handed installation

Series 1: With self-sealing connection nipples for radiators with integrated valve with Rp 1/2 H-module connection.
Series 2: With cone inserts for radiators with integrated valve, with G3/4m H-module connection.



EXCLUSIV H-module for One-pipe System

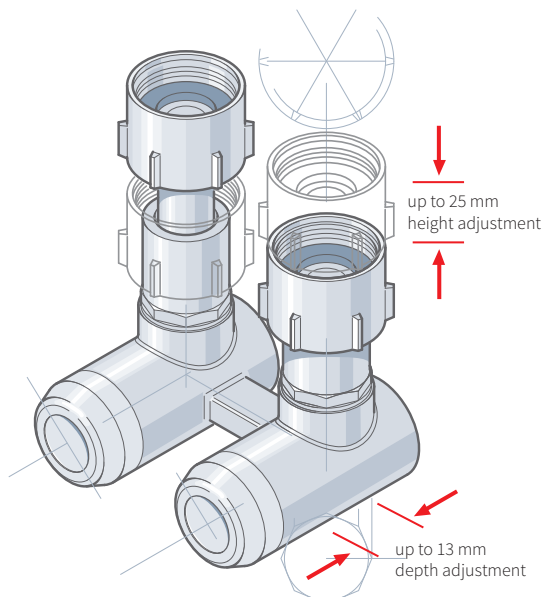
The single-pipe valve can be shut off and features a backflow retardant, which reduces the return heat when the thermostatic valve is closed in one-pipe operation.

More product features:

- ◆ Swapping the backflow retardant allows the valve to be used independently of the supply and return flow
- ◆ Single-pipe or two-pipe operation
- ◆ 30-100% radiator supply ratio

MULTIGRIP Two-pipe H-module

The MULTIGRIP H-module, which is available as an angle version, features an integral push-fit connection and can be regulated by means of a spindle shut-off. The pipe is fixed in place at the front using a standard spanner. The MULTIGRIP H-module, which is available with \varnothing 15 mm and can be horizontally adjusted (up to 13 mm), is also available with vertical telescopic compensation (up to 25 mm), like the EXCLUSIV and TECTITE H-modules.



Universal Use

EXCLUSIV H-module for One-pipe System

Connection valve with backflow retardant, radiator supply ratio 30-100 % (factory set to 35%), with ball shut-off, control head with concealed stop, for connection with compression adapters.



Series 1

Series 2

Article no.	Article no.	Version	Dimensions
F10001	F10005	Straight	G3/4f x G3/4m Euro taper
F10003	F10007	Angle	G3/4f x G3/4m Euro taper

MULTIGRIP Two-pipe H-module

Connection valve with integrated screw connection with depth adjustment (13 mm), for copper, stainless steel and carbon steel pipes, shut-off with stop.

With self-sealing connection nipples and cone inserts



Article no.	Version	Dimensions
F13424	Angle	G3/4f x 15mm

MULTIGRIP Two-pipe H-module with Telescope Adjustment

Telescopic connection valve with up to 25 mm height adjustment, integrated screw connection with depth adjustment (13 mm), for copper, stainless steel and carbon steel pipes, shut-off with stop. With self-sealing connection nipples and cone inserts



Article no.	Version	Dimensions
F13444	Angle	G3/4f x 15mm

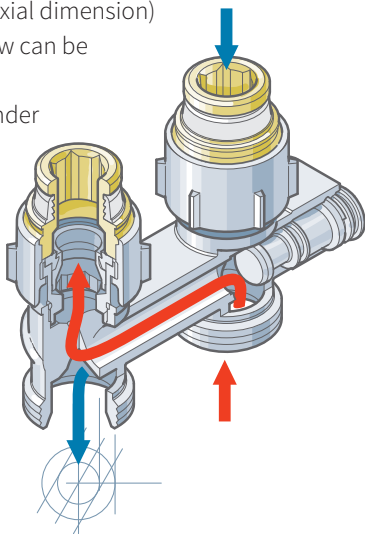
Pioneering Solutions

Reverser with Shut-off

The reverser with shut-off is the ideal solution for connections without crossovers with inverted supply and return flow pipes – it is the classic amongst the problem-solvers.

Benefits:

- ◆ Easily replaces an H-module (same height, same axial dimension)
- ◆ Supply and return flow can be shut off separately
- ◆ Stylish, disappears under the radiator
- ◆ With shut-off



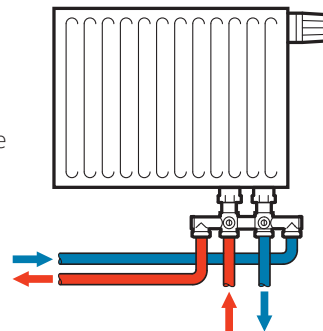
4-way H-module

Connection valve for the jointless laying in floors or to connect additional heating surfaces.

The module is shut off by a 3-way ball actuated by a spindle. A visual mark shows the position of the 3-way ball.

- ◆ With backflow retardant (return flow insert and flow insert interchangeable)

Installation example
4-way H-module



Reverser with Shut-off for inverted Supply and Return Flow

With shut-off for connection with compression adapters, 50 mm axial distance



Series 1

Article no.	Version	Dimensions
F10076	Straight	G3/4f x G3/4m Euro taper
F10077	Angle	G3/4f x G3/4m Euro taper

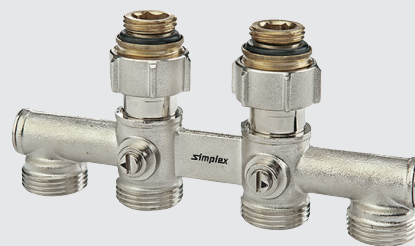


Series 2

Article no.	Version	Dimensions
F10078	Straight	G3/4f x G3/4m Euro taper
F10079	Angle	G3/4f x G3/4m Euro taper

4-way H-module

Shut-off with position indicator, without stop, for connection with compression adapters, 50 mm axial distance



Series 1 (with O-ring)

Article no.	Version	Dimensions
F10058	Straight	G3/4f x G3/4m Euro taper



Series 2

Article no.	Version	Dimensions
F10059	Straight	G3/4f x G3/4m Euro taper
F10449	Angle	G3/4f x G3/4m Euro taper

Series 1: With self-sealing connection nipples for radiators with integrated valve with Rp 1/2 H-module connection.

Series 2: With cone inserts for radiators with integrated valve, with G3/4m H-module connection.

Accessories and Heating Manifolds

G 3/4 Euro Taper Extension

20 mm extension



Article no.

F22165

Dimensions

G3/4f x G3/4m Euro taper

S-piece, 7.5 mm Offset

35 mm overall height



Article no.

F10530

Dimensions

G3/4f x G3/4m Euro taper

G5 Connection Set

Screw connections, 2 no.



Article no.

F10369

Dimensions

Rp 3/8 x G 3/4f Euro taper

F10370

Rp 1/2 x G 3/4f Euro taper

Heating Manifold for Connection to Radiators

Consisting of: 2 no. DN 32 manifolds for supply and return flow, primarily Rp 1 connections for Simplex manifold connection sets (F14022 and F14023), secondary connections G 3/4m Euro taper, pre-mounted drain valve and manifold plug DN 15 per manifold, can be retrofitted e.g. with immersion sleeve, valves and accessories nickel-plated, including manifold bracket with soundproofing in accordance with DIN 4109



Article no.

F18051

Version

3 heating circuits

Dimensions

W: 210 mm

F18052

4 heating circuits

W: 260 mm

F18053

5 heating circuits

W: 310 mm

F18054

6 heating circuits

W: 360 mm

F18055

7 heating circuits

W: 410 mm

F18056

8 heating circuits

W: 460 mm

F18057

9 heating circuits

W: 510 mm

F18058

10 heating circuits

W: 560 mm

F18059

11 heating circuits

W: 610 mm

F18060

12 heating circuits

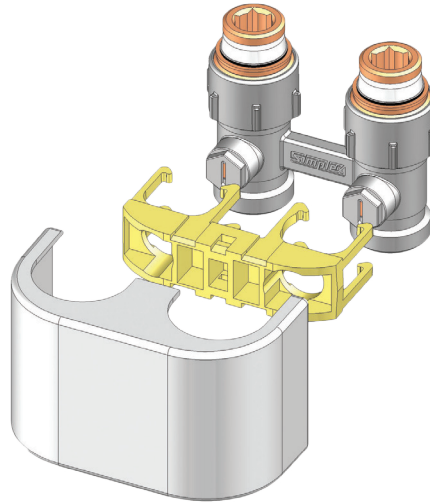
W: 660 mm

Design Covers

One click to a perfect appearance

Simplex design covers are simply positioned on the valve, thanks to their unique click-in technology. With only one click, you get an individual look in your home, completely without the need for tools. Naturally the design cover comes in many versions – exclusively at Simplex! Our broad-based range includes plastic design covers for two-pipe H-modules with 50 mm axial distance.

Design to click in – Simply beautiful!



Design cover for two-pipe H-modules



Straight, chrome-plated



Straight, white



Position-Click-You're done – simple click-in technology!



Design cover, white, also available as a set with EXCLUSIV two-pipe H-module.

Design Cover for Simplex H-module

Plastic construction with polished finish, for H-modules with 50 mm axial distance.

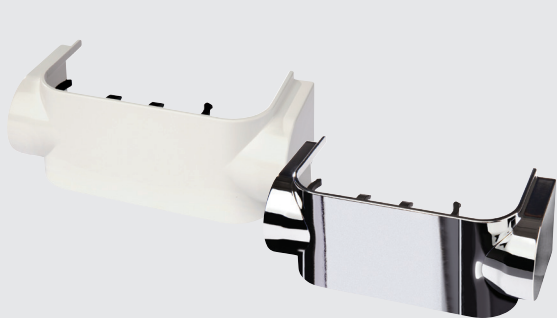


Article no.	Version	Colour
F10093	Straight	white
F10094	Angle	white
F10095	Straight	chrome-plated
F10096	Angle	chrome-plated

Design Cover for VARIOCON Connection Valve

Plastic construction with polished finish, for angle versions, for left and right-handed connection.

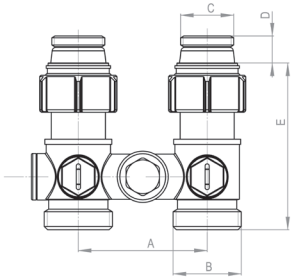
Suitable for F12001 - F12004, F10026 and F10027.



Article no.	Version	Colour
F12025	Angle, left or right-handed connection	white
F12026	Angle, left or right-handed connection	chrome-plated

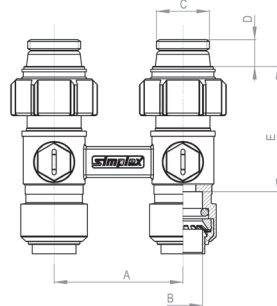
Dimensional Drawings of Connection Valves

H-module for One-pipe System F10001



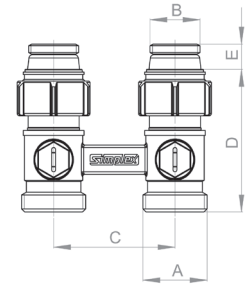
A	B	C	D	E
50	G3/4m EK	G1/2m	10	65

TECTITE H-module F10009



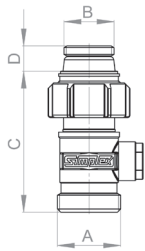
A	B	C	D	E
50	Ø 15	G1/2m	10	49

EXCLUSIV H-module F10010



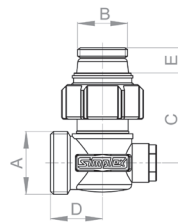
A	B	C	D	E
G3/4m EK	G1/2m	50	59	10

Single Ball Valve F10018



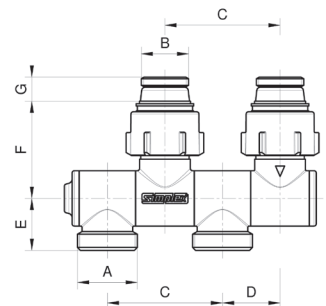
A	B	C	D
G3/4m EK	G1/2m	58	11

Single Ball Valve F10019



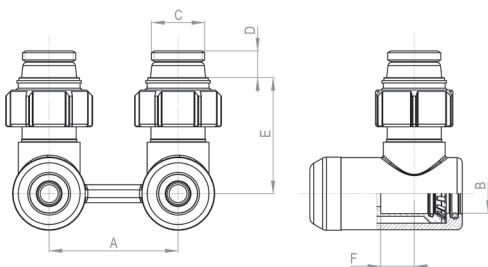
A	B	C	D	E
G3/4m EK	G1/2m	37	22	11

VARIOCON N Connection Valve F12001



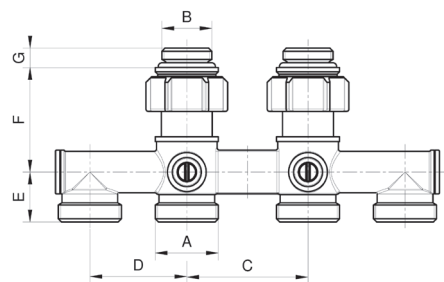
A	B	C	D	E	F	G
G3/4m EK	G1/2m	50	25	23	42	11

MULTIGRIP H-module F13424



A	B	C	D	E	F
50	Ø 15	G1/2m	10	45	13

4-way H-module F10058



A	B	C	D	E	F	G
G3/4m EK	G1/2m	50	40	21	43	8

EK = Euro taper
Dimensions in mm

More dimensional drawings can be found on our website at
www.simplex-armaturen.de

