

4.

Rail and Rail Accessories



Installing pipe suspension systems or wall bracket systems quickly and efficiently is easy if one uses Flamco rails and accessories.

Flamco has specifically developed a complete range for this purpose. The various brackets and clamps can be fitted next to each other, on a single rail, for instance. The flat slotted construction makes fitting in a restricted space possible. Sliding rail lock nuts can also glide smoothly to the correct position on the rail.

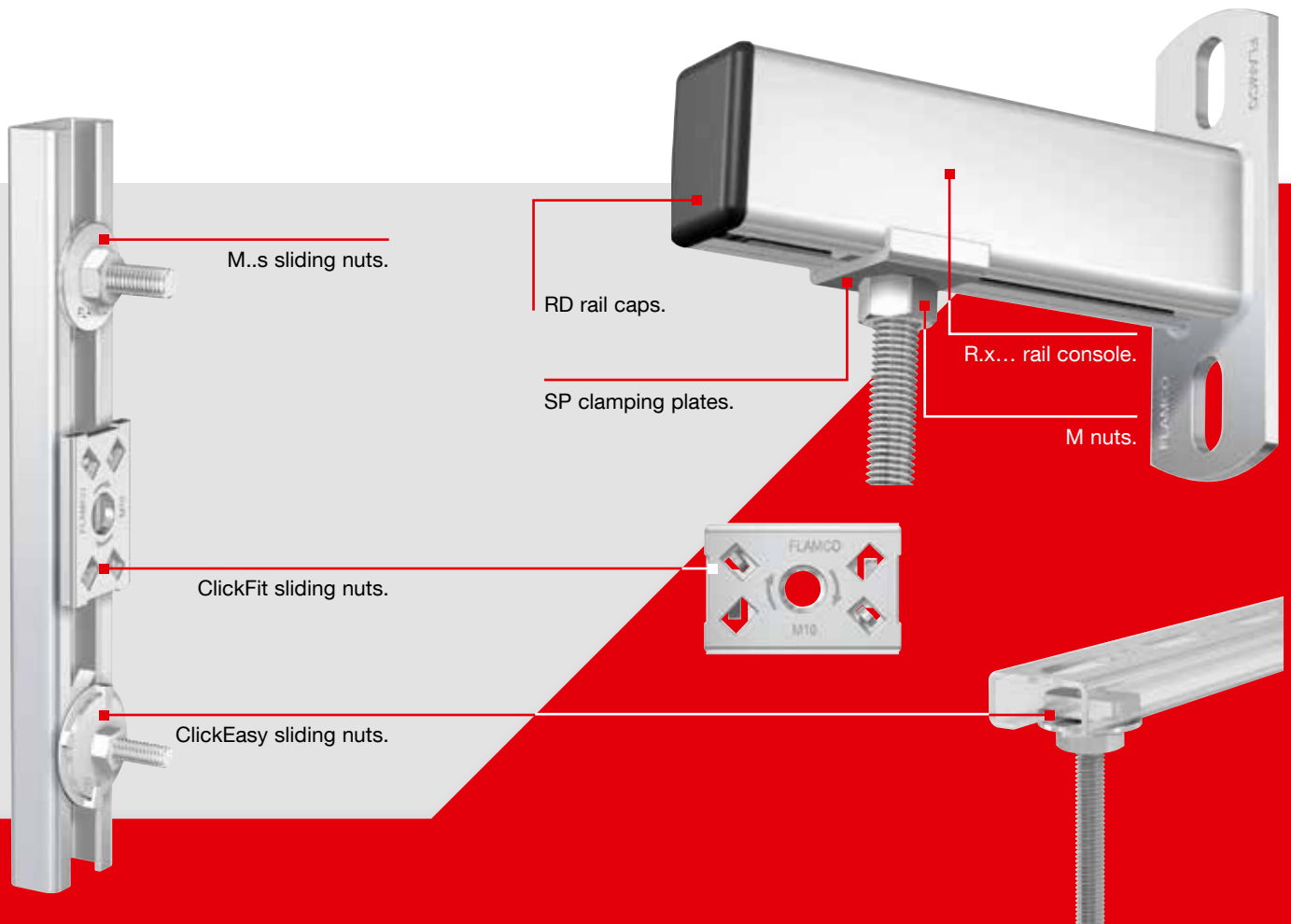
As we use an universal slot profile all rail accessories can be used in each type of Flamco Rail. There is a selection of Flamco Rail profiles to provide the correct load handling capabilities.



Quick Fitting with Flamco Rail and Rail Accessories

Flamco Rail is second to none for fast and professional installations. Several fixtures and fittings can be mounted next to each other on one rail. Flamco Rail is available in various sizes and load capacities.

The wide range of Flamco Rail and rail accessories available on these pages makes installation quick, easy and, more to the point, adjustable.



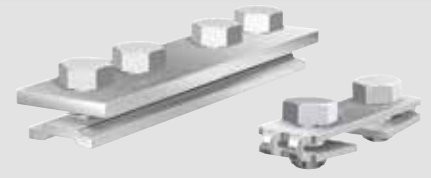
SR 4 noise suppressing strip

- Noise suppressing lining for the Flamco rail or M 8 threaded rod.



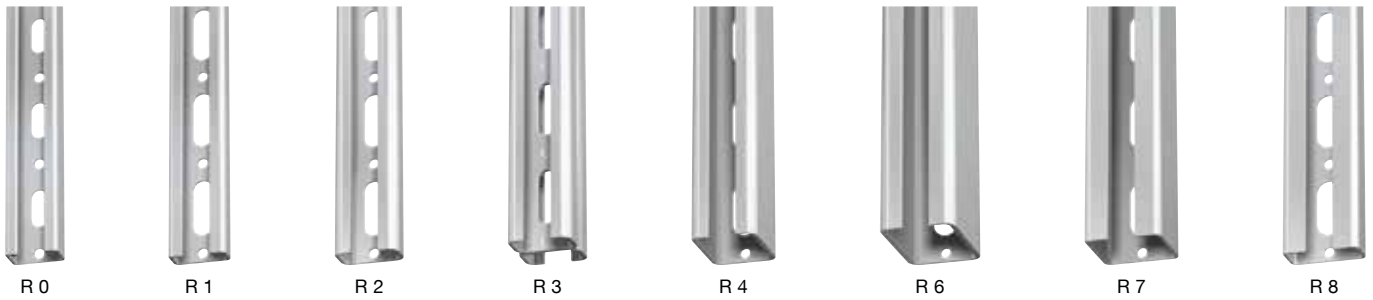
RD rail end caps

- Neatly finishes off the ends of all types of Flamco Rail.
- Quick and easy to push into position.



RL rail extenders

- Ideal for connecting two Flamco rails in line.
- All required bolts are supplied pre-assembled in the packaging.



The Advantages of Flamco Rail:

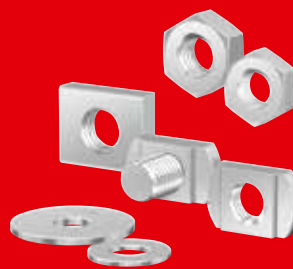
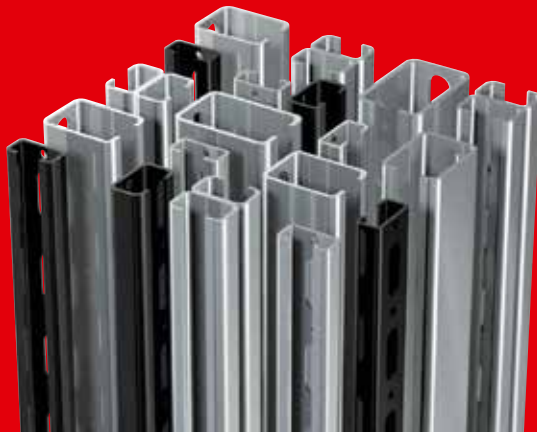
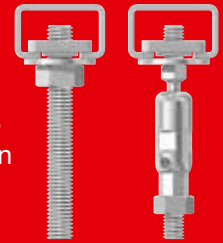
- Short installation height thanks to the flat grooved construction.
- The ergonomic design of the rail ensures that sliding nuts and similar components slide easily into place.
- Flamco fittings and components are common and compatible across the entire range of Flamco rail.

Selecting the Appropriate Flamco Rail

Selecting the correct Flamco rail is simple. Identify the number of suspension points, the load to be applied at each point and the bending stress. Then refer to the selection criteria below. The calculation applies solely to Flamco rail and the accessories from our range.

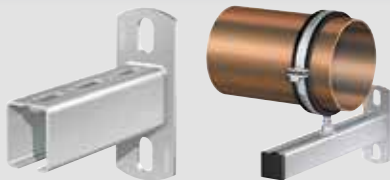
NOTE

Make sure there is always an even stress spread across the subsequent suspension points of each pipe. Each suspension point is then loaded equally and evenly.



Nuts, sliding nuts, washers and hammerhead bolts

- For the easy mounting of a suspension in Flamco Rail.
- Sliding nuts and hammerhead bolts can be inserted in situ where required. After that, a twist of 90° is all that is required before tightening with a nut.



R.x... rail consoles

- For attaching to the wall for support or hanging.
- Stable fastening.
- Can also be used vertically.



SP clamping plates

- SP clamping plates are compatible with Flamco Rail types R 2, R 3 and R 4.
- SP.SR clamping plates are compatible with Flamco Rail types R 6, R 7 and R 8.



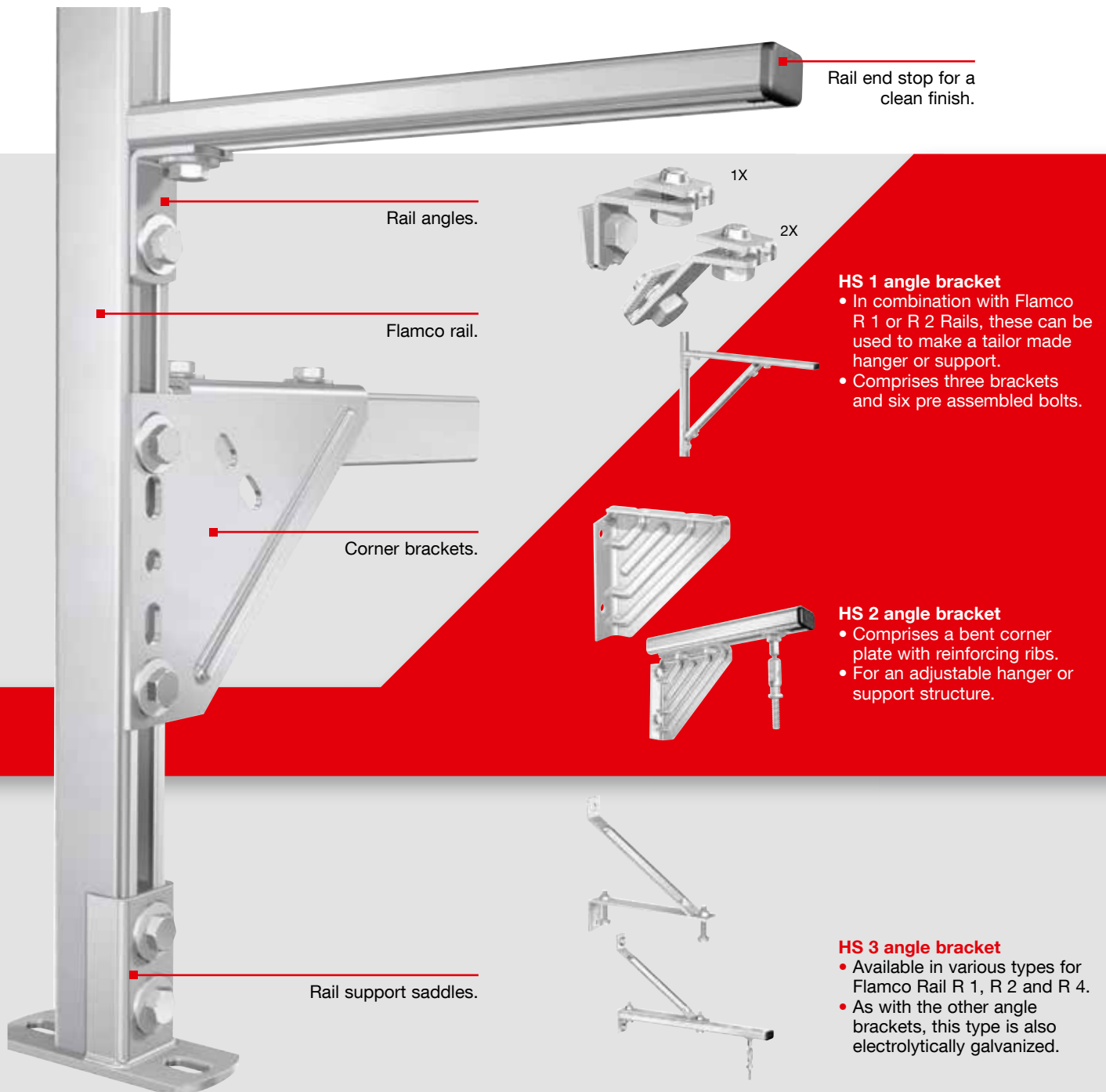
HBS hammerhead bolt sets

- Pre assembled sets consisting of a hammerhead bolt, nut and washer.
- A quick and easy way of fitting Flamco clips to a Flamco Rail.

Even More Options with Flamco Rail Structures

No two installations are the same. This means that we are often asked which specific fixtures and fittings can best and most efficiently be deployed. Against the wall, on the ceiling, in a shaft or free standing. Flexibly or specifically rigid.

In this respect, Flamco rail offers countless possibilities. With Flamco Rail and accessories, you will never be faced with impossible situations.





RB Rail girder clip

- For mounting Flamco rail to steel profiles.
- No drilling or welding needed.

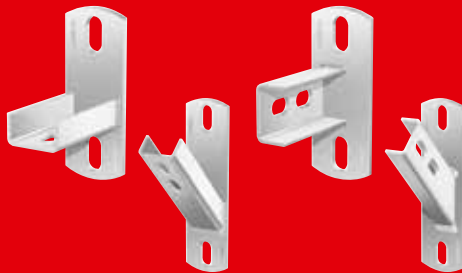


RB



GWK gas boiler wall console

- For fitting/supporting wall mounted gas boilers.
- Corner brackets supplied with threaded rod, to make roof or wall fixture.
- Finished with rail end caps.



RZ-V RAIL SUPPORT SADDLES

RZ-H RAIL SUPPORT SADDLES

RZ-V and RZ-H rail support saddles

- For rail support for mounting to a wall, ceiling or on the ground.
- Flamco rail can be attached with a single bolt.
- The slots make adjustment possible.
- Suitable for Flamco Rail R 0 - R 4.



VH 200

VH 210

VH 165

VH mounting angles

- Used for adjustable fixtures/wall mounted or ceiling mounted support structures, or on the ground.



VP connector plates

- The Flamco Rail can be attached to the holes with two bolts.
- Used for adjustable fixtures/wall mounted or ceiling mounted support structures, or on the ground.



KF rail support flanges

- For attaching all types of Flamco Rail to a wall, ceiling or the ground.
- With pre assembled bolts and washers.
- The slots make adjustment possible.



RH rail mounting angles

- For connecting two Flamco Rail R 1 - R 6 rails.
- Ideal for making rail structures, e.g. in shafts.

Flamco Offers a Range of 'Click' Products to Simplify Every Installation

Flamco offers you a comprehensive range of smart 'click' products. Each one has the same ingenious construction and choice of materials and is finished to perfection. This range offers you multiple areas of application.

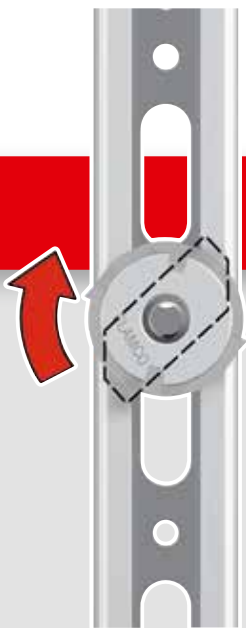
Flamco really does make it easier, and enables the installer to save a lot of time. The more you install, the more you save! All our products are made with the proven Flamco attention to detail, so you know you can always rely on Flamco accessories.

ClickFit

For use with the Flamco Rail R, fitted either horizontally or vertically. With a stop function to prevent it turning back so that the ClickFit cannot fall out of the rail. Then, just slide it into the correct position on the rail. The right-angled shape of the ClickFit offers you the possibility of visually checking whether the ClickFit has been fitted correctly. Made entirely of steel.

ClickEasy

Easy to fit. Just press the ClickEasy onto the Flamco rail R and twist clockwise 45°. Stop function to prevent it turning back, hence the ClickEasy cannot fall out of the rail. No loose parts, so the installation time is minimal. All variations are available with either M 6, M 8 or M 10 connection. Both the ClickFit and the ClickEasy will stay in place, even if they are fitted to a vertical rail. ClickFit and ClickEasy are suitable for Flamco rails R 0 - R 8.



CLICKEASY M



CLICKEASY HBS



CLICKEASY K

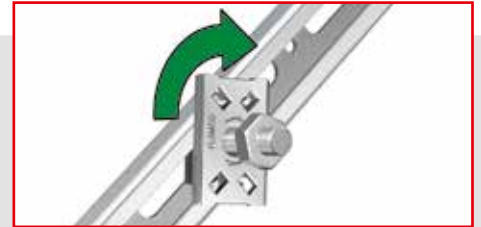


CLICKFIT M

Fitting the ClickFit



Slide the ClickFit into the Flamco R-rails.



Turn the ClickFit 45°.



You will hear the click. Now it is locked in place and cannot fall out.



Slide the ClickFit into the desired position. Secure it and - that's all there is to it!



ClickConnection

A series of products to connect Flamco R-rails together: horizontally, vertically, at an angle, layered or on the wall. Suitable for various Flamco R-rails. Easy to install: just slide the ClickConnection into the Flamco R-rails and twist the ClickConnection 45°. No loose parts means quick installation.



CLICK-CONNECTION X



CLICK-CONNECTION 45



CLICK-CONNECTION L



CLICK-CONNECTION 90



CLICK-CONNECTION RZ-V



CLICK-CONNECTION RZ-H

Calculation method for Flamco Rail

Calculation method for Flamco Rail

There are two types of load situations. One whereby the force is outside the fixing points of the Flamco rail (see graph A) and one whereby the force is between the fixing points of the Flamco Rail (see graph B).

In both cases, two values are important:

- force F.
- length L.

Force F is dependent on the pipe diameter and the distance between two suspension points.

With a load between two suspension points whereby several forces are at work, an equivalent load (F1) must be determined.

If the values of F and L are known, the Flamco rail required can be determined from graph A or B.

There are a number of examples shown with various loads.

The following applies to both graphs:

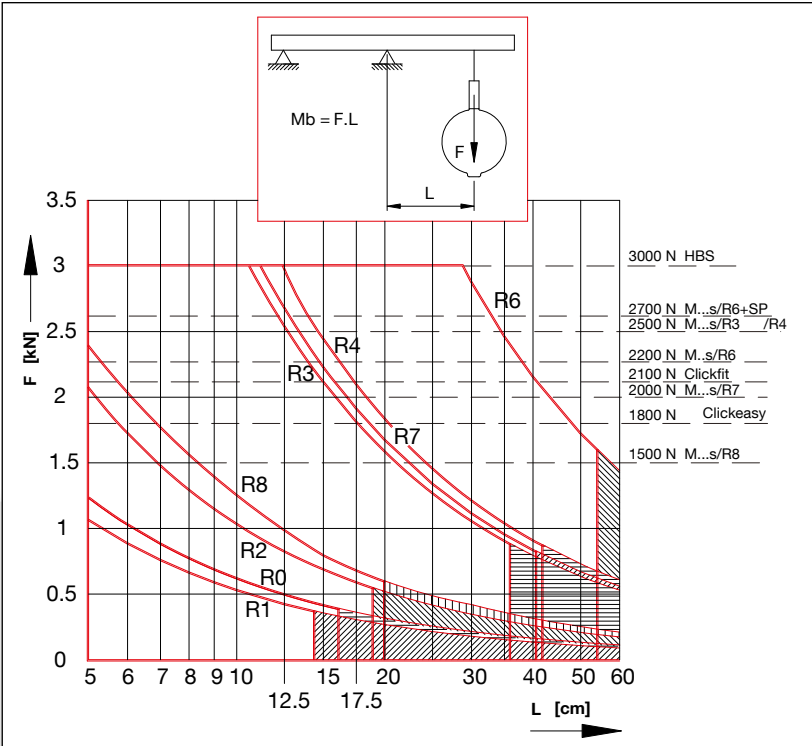
Graphs A and B are based on the usual strength calculations and apply a maximum bending stress of 160 N/mm².

- The shaded areas show where a deflection of

$$\frac{1}{250} \times L \text{ is exceeded.}$$



Graph A



Graph B

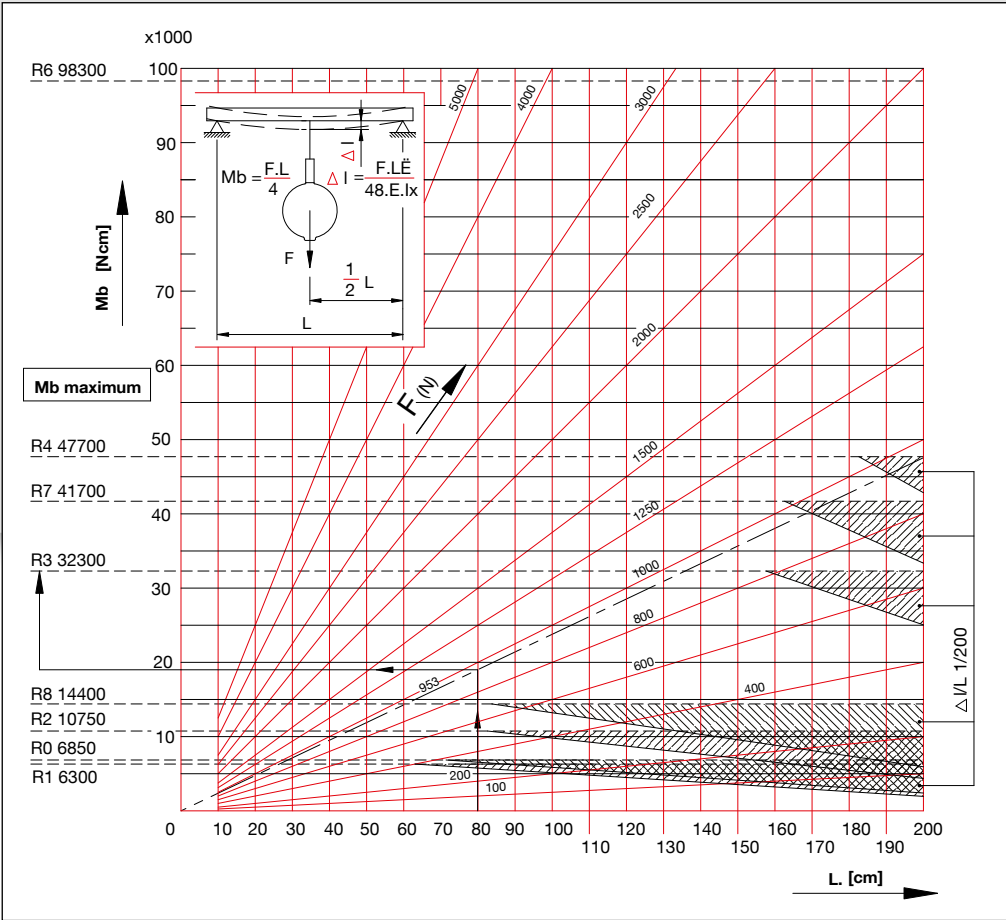
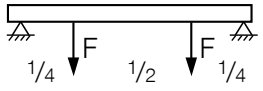
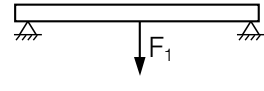
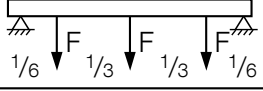
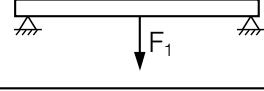
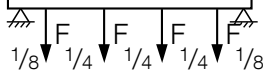
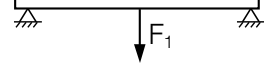


Table 1

Number of loads and distribution	Equivalent load	Adjustment factor
		$F_1 = 1 \times F$
		$F_1 = 1.68 \times F$
		$F_1 = 2 \times F$

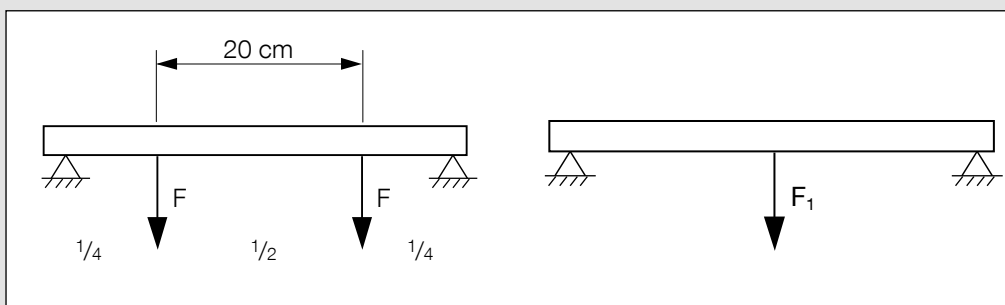
When there are two or more loads between support points, graph B must not be used. The equivalent load must first be determined with the above correction factor. The equivalent load F_1 is determined as follows:

$$F_1 = \text{correction factor} \times F$$

Using the equivalent load F_1 graph B may now be used to select the rail. The partition may not exceed $1/4$, $1/6$ or $1/8$.

Calculation example 1

Two pipes of diameter 139.7 mm, filled with water, have to be fixed to a rail and have a centre distance of 20 cm. The distance between the respective rails is 250 cm. What type of Flamco Rail should be used?



What to do

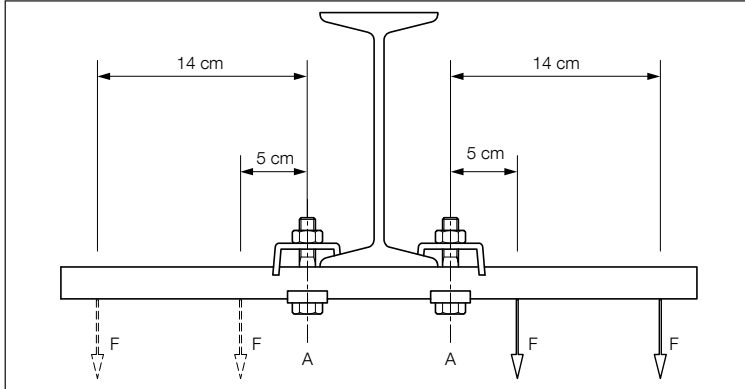
The weight of the pipe is 27.1 kg/m, which means $2.5 \times 27.1 = 67.75 \text{ kg} = 677.5 \text{ N}$ per pipe. Table 1 shows that the equivalent load ($F_1 = 1 \times F$) = $1 \times 677.5 = 677.5 \text{ N}$.

The distance between the rail fixing points (L) is max. 40 cm. As graph B shows, the Flamco rail R 2 is most suitable.

Conclusion: Flamco rail R 2 meets the requirement.

Calculation example 2

Four pipes, dia. 76.1 mm, need to be fixed to a rail underneath a profile. The load is symmetrical in relation to the profile. The distance between the rails is 2 metres.



What to do

Pipe weight Ø 76.1 mm plus water (gross weight) = 9.2 kg = 92 N/m = 184 N per 2 metres.

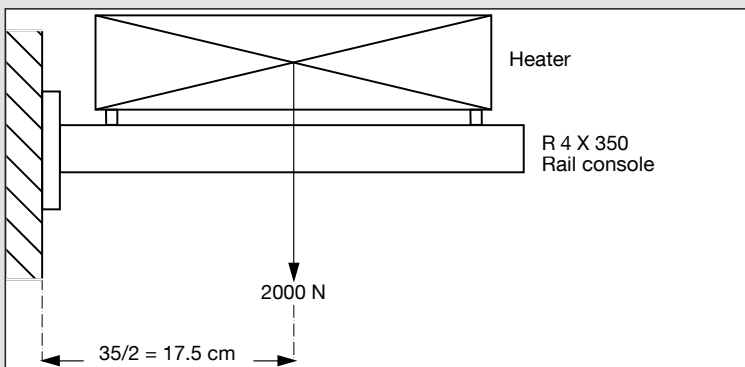
The bending moment in relation to A = 184 x 5 + 184 x 14 = 3,496 Ncm.
 The maximum permitted bending moment of Flamco Rail R 1 = 5,350 Ncm.

Conclusion: Flamco Rail R 1 meets the requirement.

Calculation example 3

An air heater of 200 kg (= 2,000 N) needs to be fixed on two rail consoles. Will rail console R 4 x 350 meet the requirement?

Load information, Flamco rail R 4: Maximum point load (max. working load) = 2,500 N
 Maximum bending stress = 36,550 Ncm.



What to do

$$\text{Working load} = \frac{2,000 \text{ N}}{4} = 500 \text{ N} < 2,500 \text{ N: OK.}$$

$$\text{Bending stress} = \frac{2,000 \text{ N}}{2} \times 17.5 \text{ cm} = 17,500 \text{ Ncm} < 36,550 \text{ Ncm: OK.}$$

Conclusion: Rail console R 4 x 350 meets the requirement.



FLAMCO RAIL


Flamco rail is exceptionally versatile when it comes to one or more suspensions or wall fixings. These can be achieved quickly and skilfully whilst several suspensions can be mounted alongside each other on one rail. Flamco rails are available in several types with differing strength characteristics.

Rail accessories, such as sliding nuts and hammer head bolts make mounting easy, and can be adjusted after installation.

A comprehensive system giving excellent results - fast!

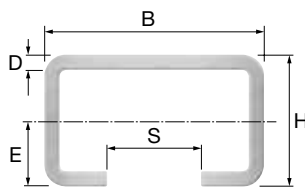
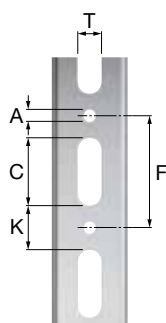
R Flamco Rail

- Material: St 02 Z 275 NA. as per DIN 17162 TL. 1.
- Colour black coated rail: RAL 9005.
- Easy and quick mounting.
- With slotted holes for adjustable mounting.
- Safety margin for minimal breaking load (V) = 3.

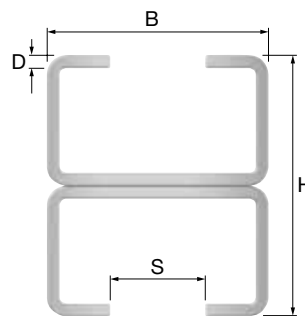
Type	Stock Length [m]	Ø [cm²]	Point load		Mb [Ncm] *	Ix [cm⁴]	Wx [cm³]	Mass [kg/m]		Order code (priced per metre)
			Max. working load [N]	Rupture load [N]						
R 0 Sendzimir zinc-plated	2	0.86	2000	6000	6850	0.388	0.429	0.66	520 m	50020
R 1 Sendzimir zinc-plated	2	1.09	2000	6000	6300	0.315	0.394	0.85	520 m	50010
R 1 Sendzimir zinc-plated	3	1.09	2000	6000	6300	0.315	0.394	0.85	780 m	50310
R 1 Sendzimir zinc-plated	6	1.09	2000	6000	6300	0.315	0.394	0.85	1200 m	50060
R 1 Black coated	2	1.09	2000	6000	6300	0.315	0.394	0.85	520 m	50000
R 2 Sendzimir zinc-plated	2	1.45	2500	7500	12000	0.781	0.742	1.27	440 m	50011
R 2 Sendzimir zinc-plated	3	1.45	2500	7500	12000	0.781	0.742	1.27	660 m	50311
R 2 Sendzimir zinc-plated	6	1.45	2500	7500	12000	0.781	0.742	1.27	720 m	50061
R 2 Black coated	2	1.45	2500	7500	12000	0.781	0.742	1.27	440 m	50001
R 3 Sendzimir zinc-plated	2	2.91	2500	7500	35000	4.411	2.205	2.54	240 m	50012
R 4 Sendzimir zinc-plated	2	2.92	2500	7500	49000	7.139	3.080	2.35	352 m	50013
R 4 Sendzimir zinc-plated	3	2.92	2500	7500	49000	7.139	3.080	2.35	480 m	50313
R 4 Sendzimir zinc-plated	4	2.92	2500	7500	49000	7.139	3.080	2.35	384 m	50014
R 6 Sendzimir zinc-plated	2	4.57	3000	9000	100000	19.004	6.295	3.60	208 m	50017
R 6 Sendzimir zinc-plated	3	4.57	3000	9000	100000	19.004	6.295	3.60	208 m	50027
R 6 Sendzimir zinc-plated	6	4.57	3000	9000	100000	19.004	6.295	3.60	240 m	50037
R 7 Sendzimir zinc-plated	2	2.46	2000	6000	41500	5.381	2.605	1.98	456 m	50029
R 7 Sendzimir zinc-plated	3	2.46	2000	6000	41500	5.381	2.605	1.98	684 m	50019
R 7 Sendzimir zinc-plated	6	2.46	2000	6000	41500	5.381	2.605	1.98	504 m	50039
R 8 Sendzimir zinc-plated	2	1.50	1500	4500	14600	0.970	0.915	1.32	304 m	50218
R 8 Sendzimir zinc-plated	3	1.50	1500	4500	14600	0.970	0.915	1.32	456 m	50318

* Maximum point load.

Dimensions R Flamco Rail



R 0-2 / R 4-8



R 3

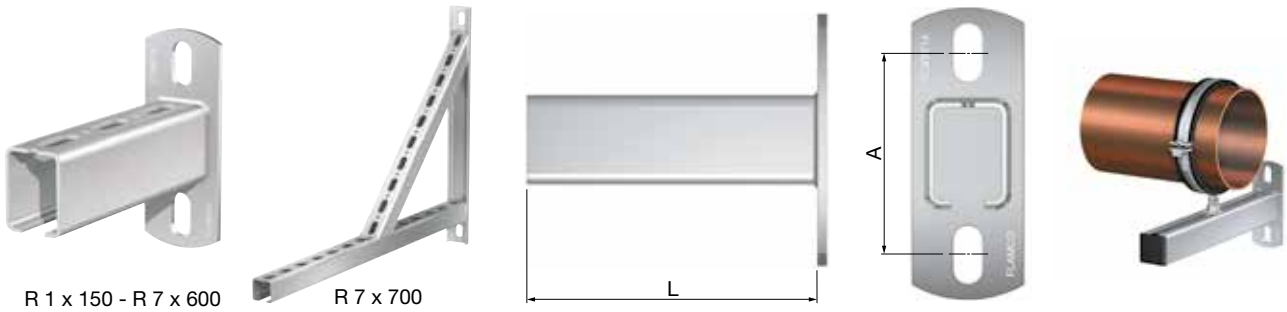
Type	Dimensions									
	H [mm]	B [mm]	A [mm]	C [mm]	D [mm]	E [mm]	F [mm]	K [mm]	S [mm]	T [mm]
R 0	18	28.0	5.3	20	1.25	9.0	50	30	14.0	8.5
R 1	15	30.5	5.3	30	2.00	8.0	50	20	14.5	10.5
R 2	20	34.0	5.3	30	2.40	10.5	50	20	14.5	10.5
R 3	40	34.0	5.3	30	2.40	-	50	20	14.5	10.5
R 4	46	35.0	5.3	30	2.50	23.2	50	20	14.5	13.5
R 6	60	40.0	5.3	30	3.00	30.2	50	20	14.5	13.5
R 7	41	41.0	5.3	30	2.00	20.7	50	20	14.5	13.5
R 8	21	41.0	5.3	30	1.80	10.6	50	20	14.5	13.5

RAIL CONSOLES

R . x... Rail Console

For suspension or support directly against a wall.

- Electrolytically zinc-plated.
- Stable fastening.
- Rail brackets with different sizes can be supplied on request.



Type	Flamco Rail	Dimensions				Max. load at end point (L) [N]		Order Code
		A [mm]	L [mm]	Base plate [mm]	Slotted hole [mm]			
R 1 x 150	R 1	80	150	115 x 40	11 x 22	400	1	71665
R 1 x 200	R 1	80	200	115 x 40	11 x 22	300	1	71670
R 1 x 300	R 1	80	300	115 x 40	11 x 22	200	1	71666
R 1 x 400	R 1	80	400	115 x 40	11 x 22	150	1	71667
R 2 x 200	R 2	80	200	115 x 40	11 x 22	500	1	71675
R 4 x 150	R 4	90	150	130 x 50	13 x 26	3000	1	71680
R 4 x 250	R 4	90	250	130 x 50	13 x 26	1800	1	71682
R 4 x 350	R 4	90	350	130 x 50	13 x 26	1250	1	71684
R 6 x 480	R 6	134	480	200 x 100	13 x 26	2000	1	71690
R 6 x 750	R 6	134	750	200 x 100	13 x 26	1250	1	71692
R 7 x 200	R 7	90	200	130 x 50	13 x 26	2000	1	71694
R 7 x 300	R 7	90	300	130 x 50	13 x 26	1250	1	71695
R 7 x 400	R 7	90	400	130 x 50	13 x 26	1000	1	71696
R 7 x 500	R 7	90	500	130 x 50	13 x 26	750	1	71697
R 7 x 600	R 7	90	600	130 x 50	13 x 26	500	1	71698
R 7 x 700 *	R 7	440	700	490 x 44	13 x 30	400	1	71699

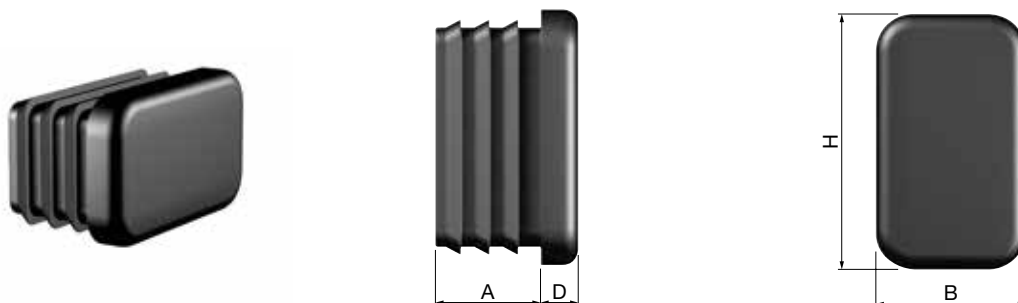
* With shore.

RAIL END CAPS

RD Rail End Cap

For a neat finish to Flamco rail R 1 - 8 and rail consoles. (For a neat finish to Flamco rail R 3, we advise two RD 2 rail end caps.)

- Black plastic.
- Easy to fit and self-securing.



Type	Suitable for rail	Dimensions					Order Code
		A [mm]	B [mm]	D [mm]	H [mm]		
RD 1	R 1	12	15	5	30	100	50501
RD 2	R 2 / R 3	12	20	5	35	100	50502
RD 4	R 4	14	35	5	46	100	50504
RD 6	R 6	14	41	5	60	100	50506
RD 7	R 7	14	40	5	40	100	50507
RD 8	R 8	14	30	5	40	100	50508

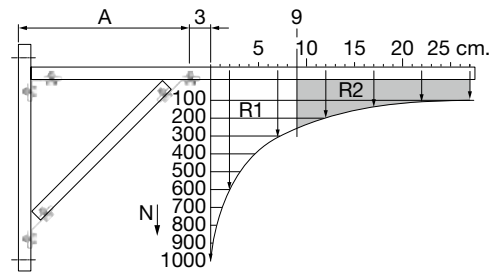
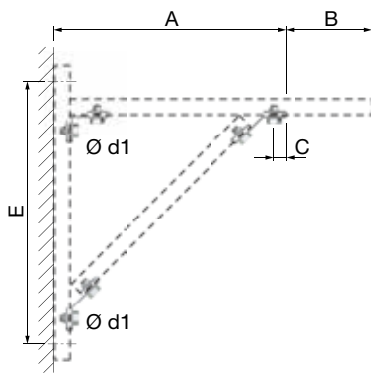


ANGLE SUPPORT

HS 1 Angle Support Set

For making a customised (adjustable) suspension or support in combination with Flamco rail R 1 or R 2.

- Electrolytically zinc-plated.
- Consists of one 90° corner bracket, two 135° corner brackets and six M 10 x 15 bolts.
- The rail can be ordered separately.



Type	Suitable for rail		Order Code
HS 1	R 1 - R 2	25	71600

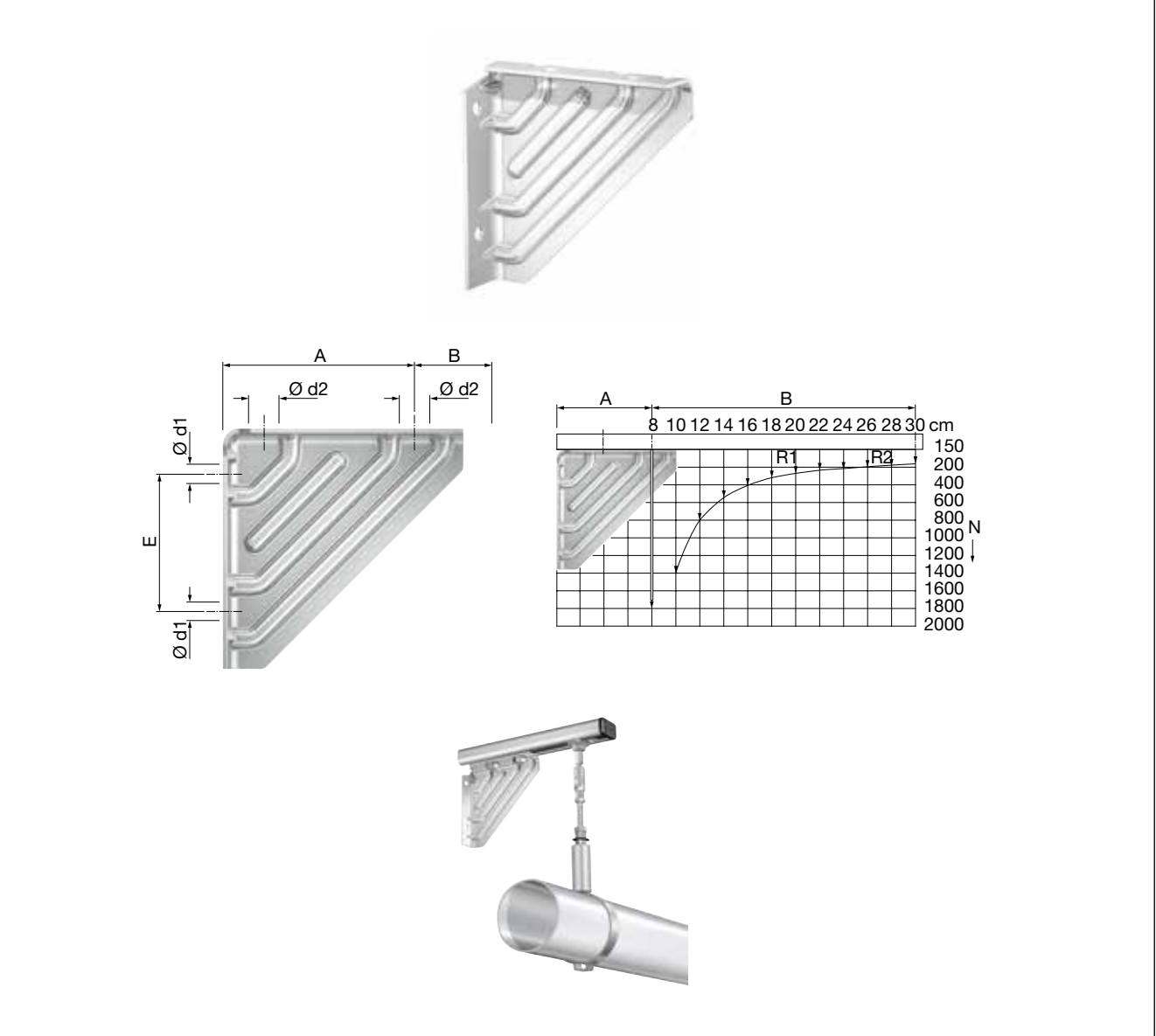
HS 1 - Technical specifications


Type	Suitable for rail	Dimensions					Max. working load	
		A [mm]	B max. [mm]	E [mm]	Ø d1 [mm]	C [mm]	A [N]	A+B [N]
HS 1	R 1	140 - 530	90	A+60	10	30	1000	260
	R 2	155 - 780	270	A+60	10	30	1000	100

HS 2 Angle Support

For making a customised (adjustable) suspension or support in combination with Flamco rail R 0, R 1 or R 2, or with D 6 or D 8 threaded rod.

- Electrolytically zinc-plated.
- Material thickness: 2 mm.
- Consists of an angled corner plate with reinforcing ribs and mounting holes.



Type	Suitable for threaded rod or rail		Order Code
HS 2	D 6 - D 8 or R 1 - R 2	25	71602

HS 2 - Technical specifications

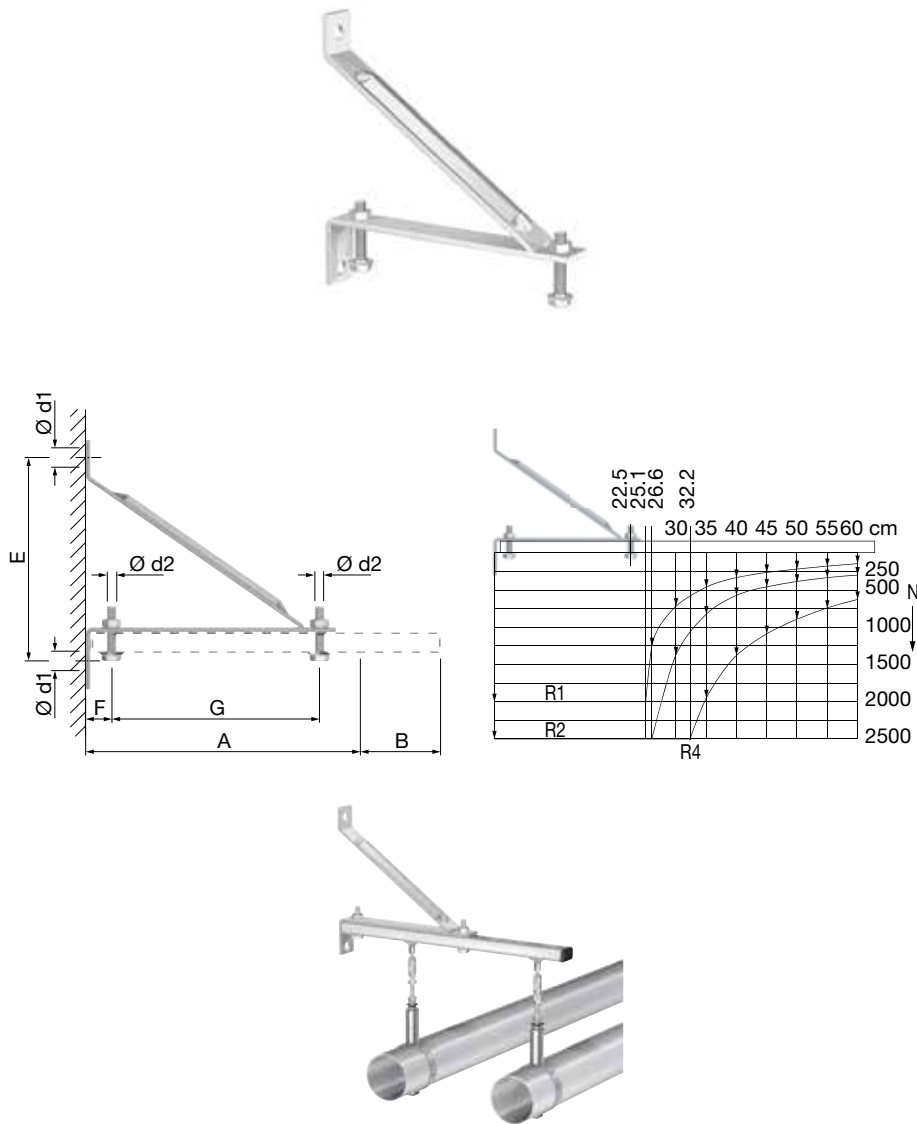
Type	Dimensions					Max. working load	
	A [mm]	B max. [mm]	E [mm]	Ø d1 [mm]	Ø d2 [mm]	A [N]	A+B max. [N]
HS 2	80	220	56	6	9	1800	156



HS 3 Angle Support

For making a customised (adjustable) suspension or support in combination with Flamco rail R 1, R 2 or R 4.

- Electrolytically zinc-plated.
- Angle support HS 3 can be supplied in two versions:
 HS 3/R 1 - R 2, including angle support, two M 10 x 35 bolts and two washers.
 HS 3/R 4, including angle support, two M 10 x 80 bolts, two washers and two clamping plates.



Type	Suitable for rail		Order Code
HS 3	R 1 - 2	20	71603
HS 3	R 4	20	71604

HS 3 - Technical specifications

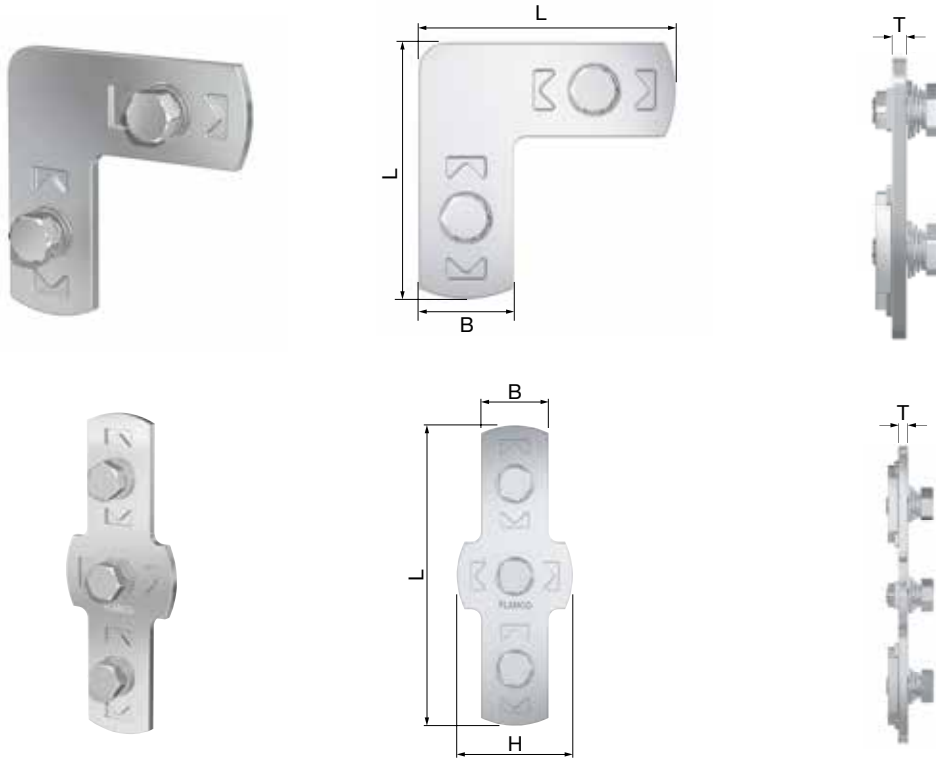
Type	Suitable for rail	Dimensions							Max. working load	
		A [mm]	B max. [mm]	E [mm]	F [mm]	G [mm]	Ø d1 [mm]	Ø d2 [mm]	A [N]	A+B max. [N]
HS 3	R 1	260	340	210	25	200	13	11	2000	194
	R 2	260	340	210	25	200	13	11	2500	260
	R 4	260	340	210	25	200	13	11	2500	625


MOUNTING PLATES AND CORNERS

ClickConnection L/X

For Flamco rail R 0 – 8.

- Easy mounting by pushing and turning the unit in the rail for 45° clockwise.
- Reduced installation time.
- No loose parts like studs, washers and nuts.
- Electrolytically zinc-plated.
- Maximum torque: 35 Nm.
- Safety margin for min. breaking load (V) = 3.



Type	Max. working load		Dimensions					Order Code
	Tensile [N]	Shear [N]	L [mm]	B [mm]	T [mm]	H [mm]		
ClickConnection L	3000	1000	95	35	5	-	10	71802
ClickConnection X	3000	1000	155	35	5	60	10	71803

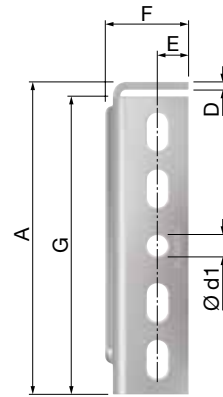
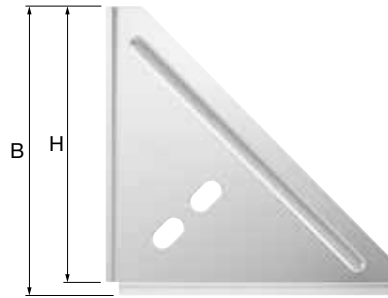
VH Corner Brackets

For making an adjustable suspension or support construction on the wall, ceiling or floor.

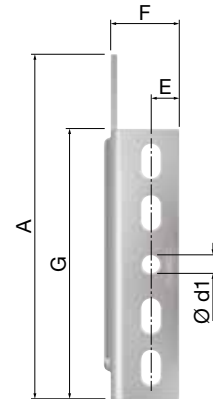
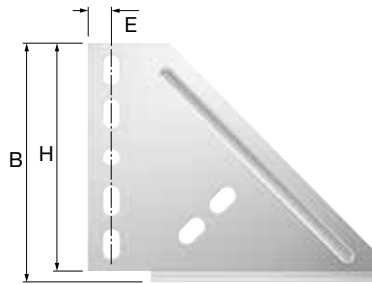
- Electrolytically zinc-plated.
- The hole pattern is such that the rail can be fixed with two bolts.



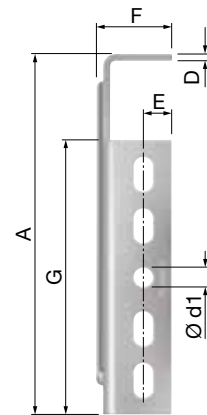
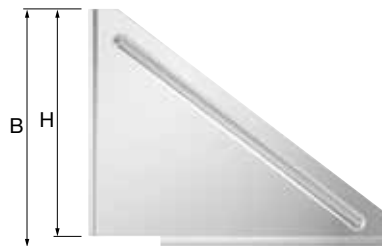
VH 165



VH 200



VH 210

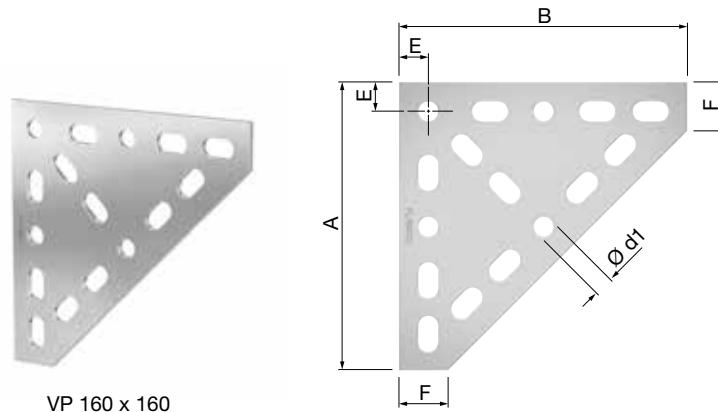
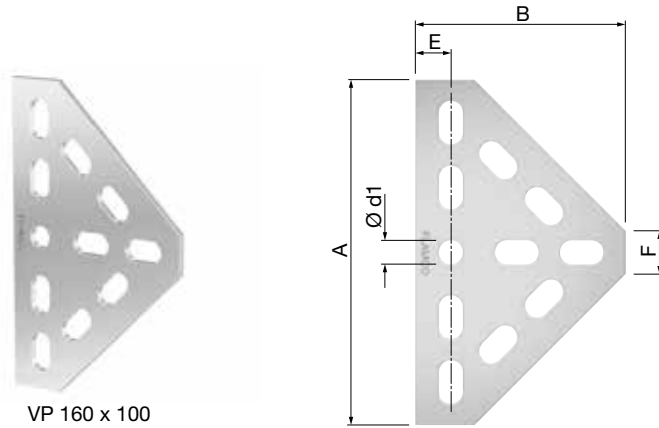



Type	Dimensions								Slotted hole [mm]		Order Code
	A [mm]	B [mm]	D [mm]	E [mm]	F [mm]	G [mm]	H [mm]	Ø d1 [mm]			
VH 165 x 165 x 4	165	165	4	16.5	40	157.5	157.5	11	11 x 20	10	71612
VH 200 x 165 x 4	200	165	4	16.5	40	157.5	157.5	11	11 x 20	10	71613
VH 210 x 165 x 4	210	165	4	16.5	40	160.5	157.5	11	11 x 20	10	71614

VP Corner Plates

For making an adjustable suspension or support construction on the wall, ceiling or floor.

- Electrolytically zinc-plated.
- The hole pattern is such that the rail can be fixed with two bolts (M 10).



Type	Dimensions					Material thickness [mm]	Slotted hole [mm]		Order Code
	A [mm]	B [mm]	E [mm]	F [mm]	Ø d1 [mm]				
VP 160 x 100 x 4	160	100	16.5	20.0	11	4	11 x 22	25	71610
VP 160 x 160 x 4	160	160	16.5	27.5	11	4	11 x 22	25	71611

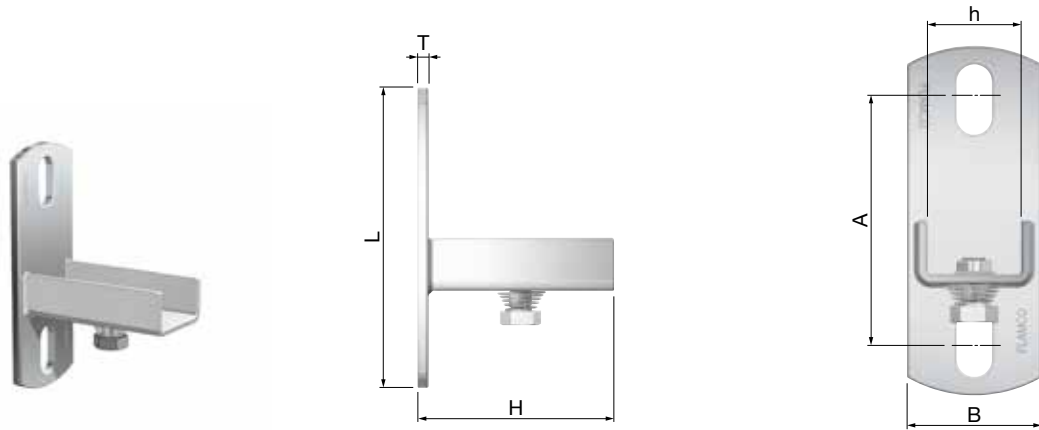


RAIL SUPPORT SADDLES

ClickConnection RZ-V

For Flamco rail R 0 – 4.

- Electrolytically zinc-plated.
- Maximum torque: 80 Nm.
- Safety margin for min. breaking load (V) = 3.

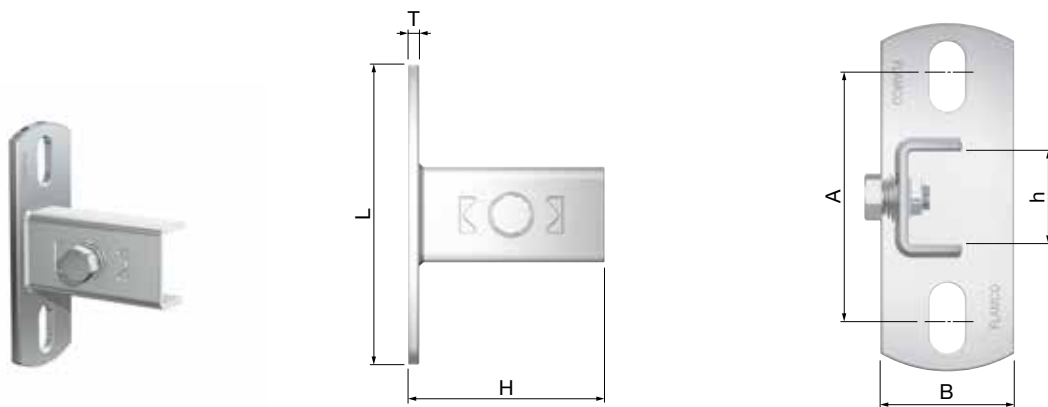


Type	Max. working load		Dimensions							Slotted hole [mm]	10	Order Code
	Tensile [N]	Shear [N]	L [mm]	B [mm]	T [mm]	H [mm]	h [mm]	A [mm]				
ClickConnection RZ-V90	3000	1000	130	50	5	80	35.5	90	13 x 26	10	71806	

ClickConnection RZ-H

For Flamco rail R 0 – 4.

- Electrolytically zinc-plated.
- Maximum torque: 80 Nm.
- Safety margin for min. breaking load (V) = 3.

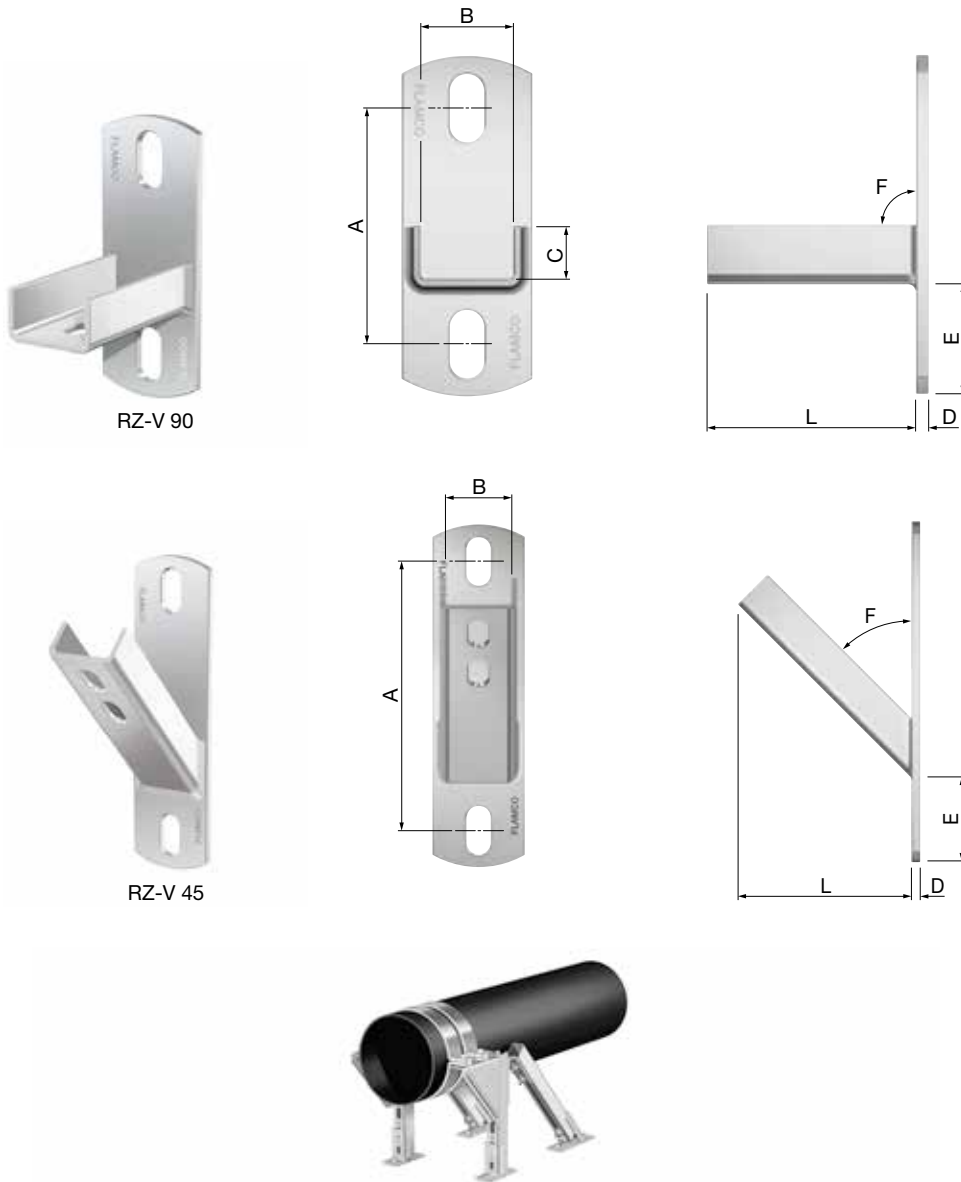



Type	Max. working load		Dimensions							Slotted hole [mm]	10	Order Code
	Tensile [N]	Shear [N]	L [mm]	B [mm]	T [mm]	H [mm]	h [mm]	A [mm]				
ClickConnection RZ-H90	3000	1000	130	50	5	80	35.5	90	13 x 26	10	71807	

RZ-V Rail Support Saddles

For mounting Flamco rails R 0 - 4 on the wall, ceiling or floor.

- Electrolytically zinc-plated.
- One bolt rail fastening because of hole pattern.
- Adjustable through slotted holes.



Type	Suitable for rail	Dimensions								Slotted hole			Order Code
		A [mm]	B [mm]	C [mm]	D [mm]	E [mm]	F [°]	L [mm]	Base Plate [mm]	Saddle [mm]			
RZ-V 90	R 0 - 4	90	35.5	20	5	45	90	80	130 x 50	13 x 26	11 x 20	10	71631
RZ-V 45	R 0 - 4	145	35.5	20	5	45	45	94	185 x 50	13 x 26	11 x 20	10	71636



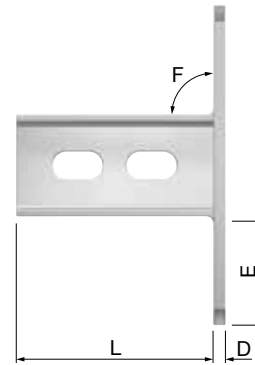
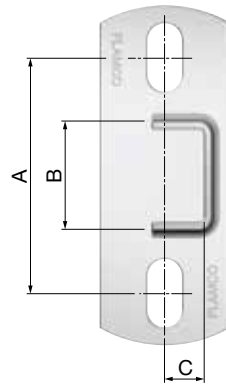
RZ-H Rail Support Saddles

For mounting Flamco rails R 0 - 4 on the wall, ceiling or floor.

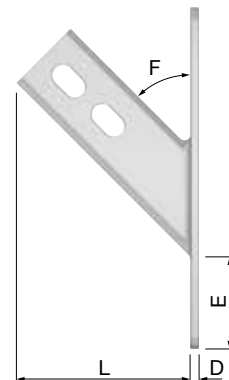
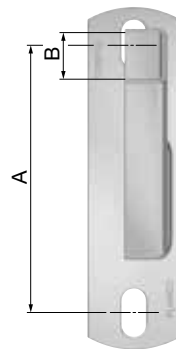
- Electrolytically zinc-plated.
- One bolt rail fastening because of hole pattern.
- Adjustable through slotted holes.



RZ-H 90



RZ-H 45



Type	Suitable for rail	Dimensions							Slotted hole			Order Code	
		A [mm]	B [mm]	C [mm]	D [mm]	E [mm]	F [°]	L [mm]	Base Plate [mm]	Base Plate [mm]	Saddle [mm]		
RZ-H 90	R 0 - 4	90	35.5	15	5	45	90	80	130 x 50	13 x 26	11 x 20	10	71630
RZ-H 45	R 0 - 4	145	35.5	15	5	45	45	94	185 x 50	13 x 26	11 x 20	10	71635

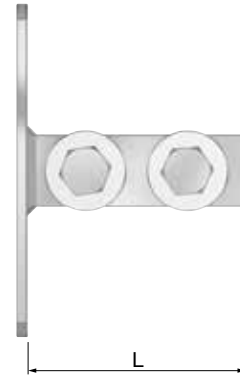
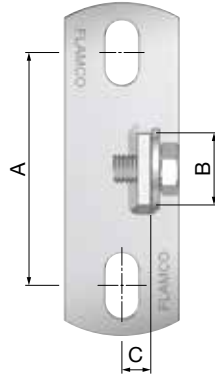
RAIL SUPPORT FLANGES

KF Rail Support Flanges

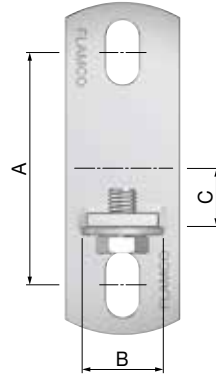
- Including bolts and screw M 10.




KF-H



KF-V



Type	Suitable for rail	Dimensions						Bolts		Order Code
		A [mm]	B [mm]	C [mm]	L [mm]	Base Plate [mm]	Slotted hole [mm]			
KF-H	R 0 - 4	80	25	10	75	115 x 40	11 x 22	M 10	10	71640
KF-V	R 0 - 4	80	25	20	75	115 x 40	11 x 22	M 10	10	71641

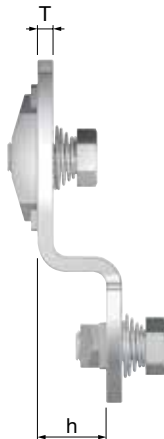



RAIL CLAMP SQUARES

ClickConnection PS31

For Flamco rail R 0, R 1, R 2 and R 8.

- Easy mounting by pushing and turning the unit in the rail for 45° clockwise.
- Reduced installation time.
- No loose parts like studs, washers and nuts.
- Suitable for threaded rod ISO 965-2.
- Electrolytically zinc-plated.
- Maximum torque: 35 Nm.
- Safety margin for min. breaking load (V) = 3.



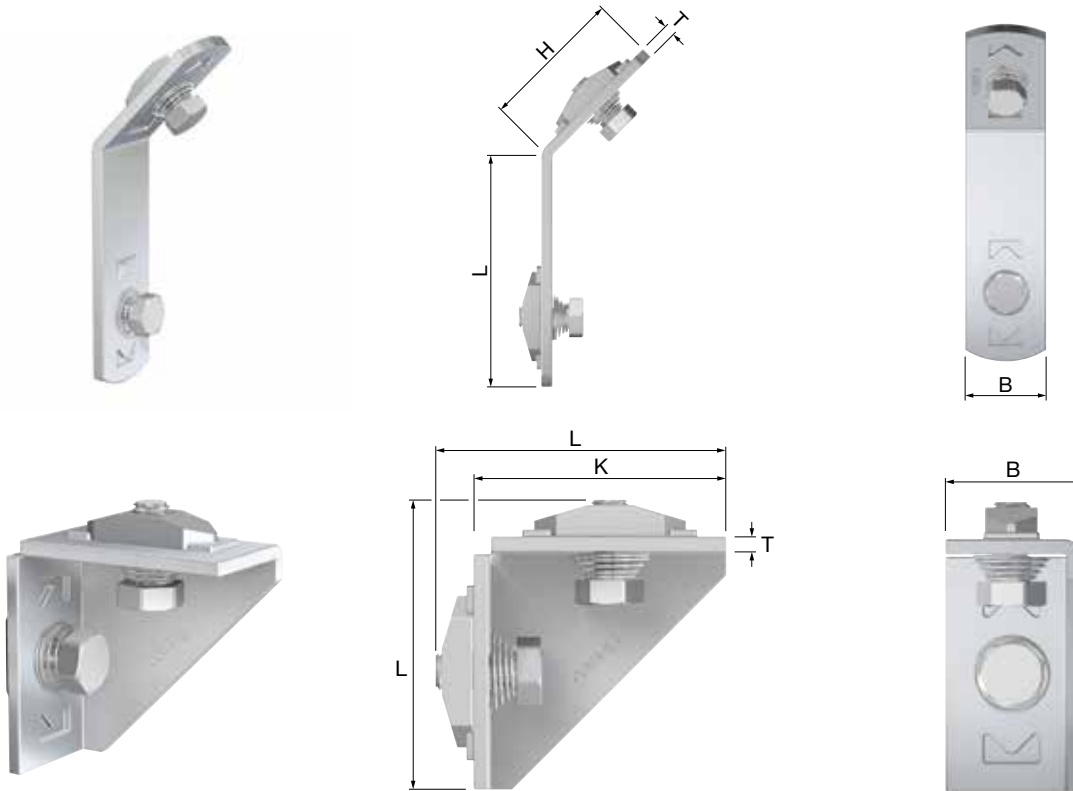
Type	Max. working load		Dimensions						Order Code
	Tensile [N]	Shear [N]	L [mm]	B [mm]	T [mm]	H [mm]	h [mm]		
ClickConnection PS31	3000	1000	105	35	5	60	21	20	71805


MOUNTING ANGLES

ClickConnection RH

For Flamco rail R 0 – 8.

- Easy mounting by pushing and turning the unit in the rail for 45° clockwise.
- Reduced installation time.
- No loose parts like studs, washers and nuts.
- Suitable for threaded rod ISO 965-2.
- Electrolytically zinc-plated.
- Maximum torque: 35 Nm.
- Safety margin for min. breaking load (V) = 3.



Type	Max. working load		Dimensions						Order Code
	Tensile [N]	Shear [N]	L [mm]	K [mm]	B [mm]	T [mm]	H [mm]		
ClickConnection RH 45°	3000	1000	100	-	35	5	60	25	71800
ClickConnection RH 90°	3000	1000	73	65	35	4	-	25	71801

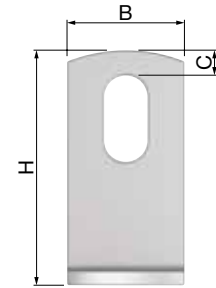


RH Rail Angle

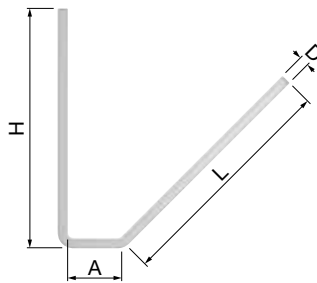
- Electrolytically zinc-plated.



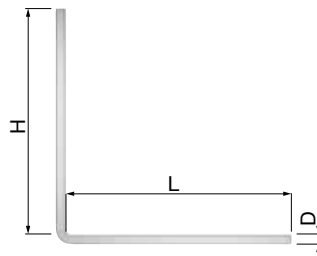
RH 90 -1



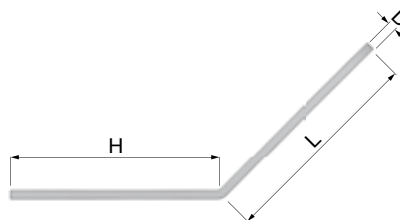
RH 45-2



RH 90 -2



RH 135 -2



Type	Suitable for rail	Dimensions							Slotted hole [mm]		Order Code
		A [mm]	B [mm]	C [mm]	D [mm]	H [mm]	L [mm]				
RH 90 -1	R 0 - 8	40	30	6.5	4	60	-	11 x 22	50	71606	
RH 45 -2	R 0 - 8	25	35	-	5	110	110	11 x 40	25	71620	
RH 90 -2	R 0 - 8	-	35	-	5	110	110	11 x 40	25	71621	
RH 135 -2	R 0 - 8	-	35	-	5	115	115	11 x 40	25	71622	

RAIL EXTENSIONS

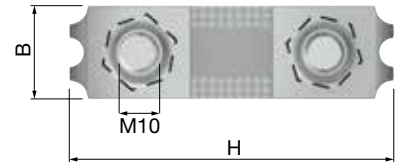
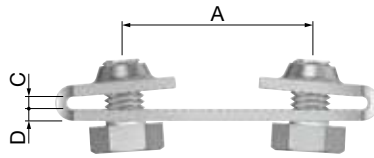
RL Rail Extender

For the in-line connection of two Flamco rails.

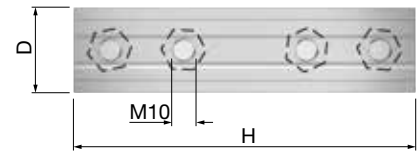
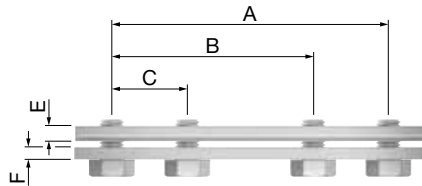
- Electrolytically zinc-plated.
- Including pre-assembled M 10 bolts.




RL 80



RL 140



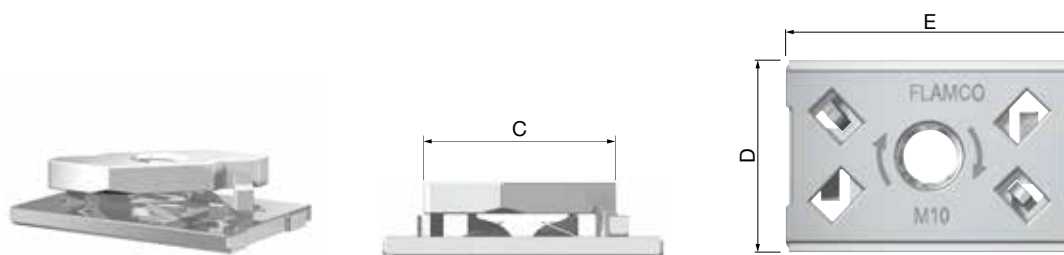
Type	Suitable for rail	Dimensions									Order Code
		A [mm]	B [mm]	C [mm]	D [mm]	E [mm]	F [mm]	H [mm]			
RL 80	R 0 - 8	45	24	3	3	-	-	80	50	71605	
RL 140	R 0 - 8	110	80	30	35	6.2	5	140	50	71608	



RAIL NUTS, HAMMER HEAD BOLTS AND SETS

ClickFit M

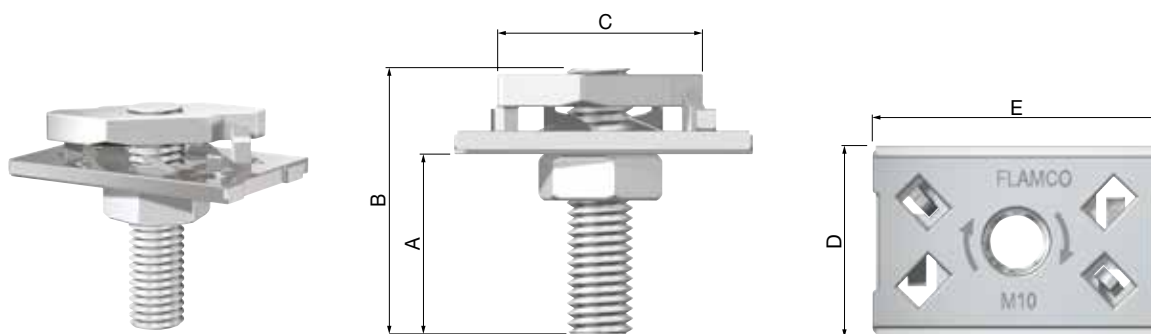
- For quick mounting of rail nut, hammer head bolts and sets.
- Suitable for any type of Flamco rail.
- Easy mounting by pushing and turning the unit in the rail for 45° clockwise.
- Non-return stop (steel).
- Fire resistant (no plastic).
- Reduced installation time.
- No loose parts like studs, washers and nuts.
- Suitable for threaded rod ISO 965-2.
- Electrolytically zinc-plated.
- Safety margin for min. breaking load (V) = 3.



Type	Connection	Max. working load [N]	Max. tightening torque [Nm]	Rail nut (C) [mm]	Locking plate (D x E) [mm]		Order Code
ClickFit M 6	M 6	2100	10	39 x 13.8	30 x 45	100	80306
ClickFit M 8	M 8	2100	15	39 x 13.8	30 x 45	100	80307
ClickFit M 10	M 10	2100	15	39 x 13.8	30 x 45	100	80308

ClickFit HBS

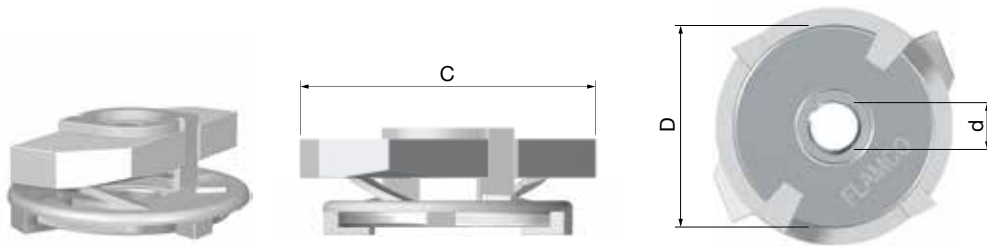
Similar to the Clickfit M, but fitted with threaded pin and lock nut.




Type	Connection	Max. working load [N]	Max. tightening torque [Nm]	Rail nut (C) [mm]	Locking plate (D x E) [mm]	Threaded rod	Dimensions			Order Code
							A [mm]	B [mm]		
ClickFit HBS 8 x 25	M 8	2100	15	39 x 13.8	30 x 45	M 8 x 25	13	25	50	80344
ClickFit HBS 8 x 50	M 8	2100	15	39 x 13.8	30 x 45	M 8 x 50	38	50	50	80347

ClickEasy

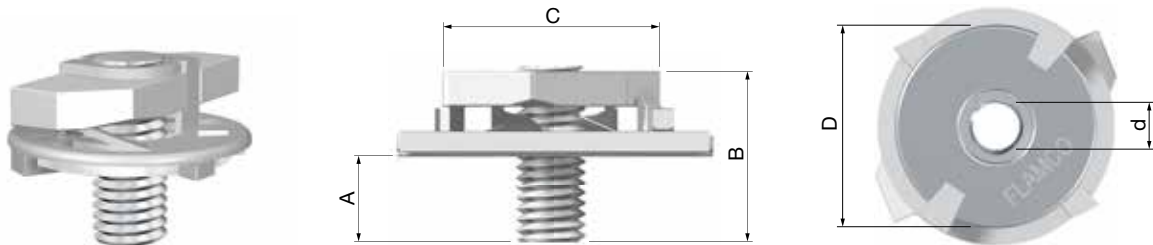
- For quick mounting of rail nut, hammer head bolts and sets.
- Suitable for any type of Flamco rail.
- Non-return stop (plastic).
- Reduced installation time.
- No loose parts like studs, washers and nuts.
- Electrolytically zinc-plated.
- Safety margin for min. breaking load (V) = 3.




Type	Connection	Max. working load [N]	Max. tightening torque [Nm]	Rail nut (C) [mm]	Ø (D x d) [mm]		Order Code
ClickEasy M 6	M 6	1800	5	36 x 13.8	28 x 6.6	50	80360
ClickEasy M 8	M 8	1800	10	36 x 13.8	28 x 8.6	50	80361
ClickEasy M 10	M 10	1800	15	36 x 13.8	28 x 10.6	50	80362

ClickEasy HB

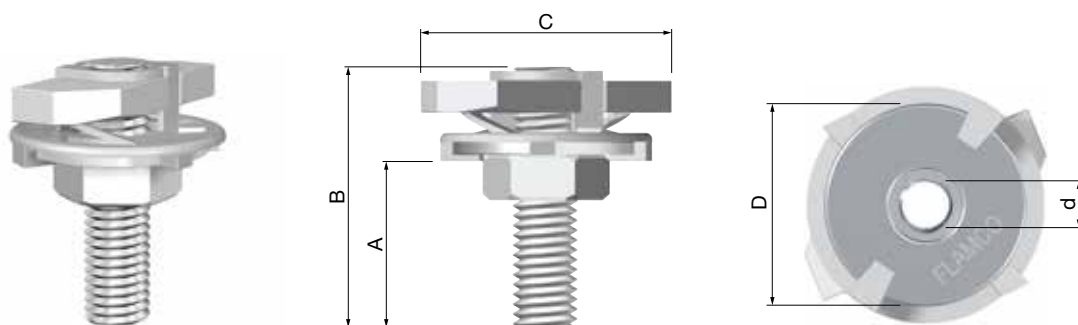
Similar to the ClickEasy, but fitted with threaded pin.




Type	Con-nection	Max. working load [N]	Max. tightening torque [Nm]	Rail nut (C) [mm]	Ø (D x d) [mm]	Threaded rod	Dimensions			Order Code
							A [mm]	B [mm]		
ClickEasy HB 8	M 8	1800	10	36 x 13.8	28 x 8.6	M 8 x 18	6	18	50	80366

ClickEasy HBS

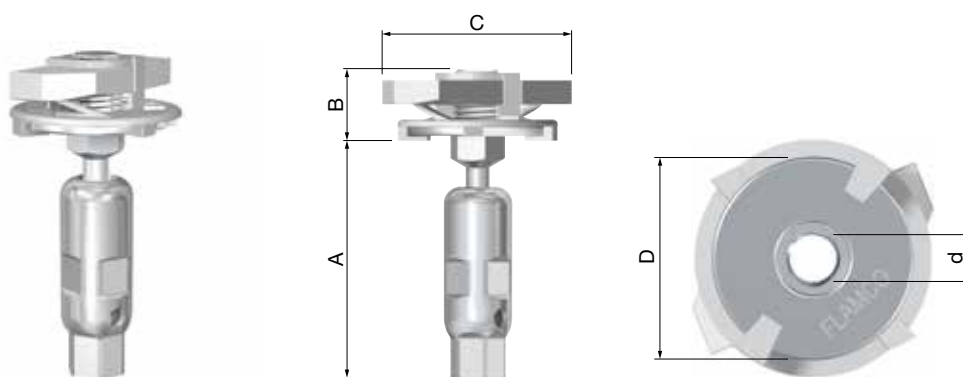
Similar to the ClickEasy, but fitted with threaded pin and locknut.




Type	Connection	Max. working load [N]	Max. tightening torque [Nm]	Rail nut (C) [mm]	Washer (D x d) [mm]	Threaded rod	Dimensions			Order Code
							A [mm]	B [mm]		
ClickEasy HBS 8 x 25	M 8	1800	10	36 x 13.8	28 x 8.6	M 8 x 25	11	25	50	80374
ClickEasy HBS 8 x 30	M 8	1800	10	36 x 13.8	28 x 8.6	M 8 x 30	16	30	50	80375
ClickEasy HBS 8 x 40	M 8	1800	10	36 x 13.8	28 x 8.6	M 8 x 40	26	40	50	80376
ClickEasy HBS 8 x 50	M 8	1800	10	36 x 13.8	28 x 8.6	M 8 x 50	36	50	50	80377
ClickEasy HBS 8 x 70	M 8	1800	10	36 x 13.8	28 x 8.6	M 8 x 70	56	70	50	80383
ClickEasy HBS 8 x 80	M 8	1800	10	36 x 13.8	28 x 8.6	M 8 x 80	66	80	50	80384
ClickEasy HBS 8 x 100	M 8	1800	10	36 x 13.8	28 x 8.6	M 8 x 100	86	100	50	80386
ClickEasy HBS 8 x 120	M 8	1800	10	36 x 13.8	28 x 8.6	M 8 x 120	106	120	50	80387
ClickEasy HBS 8 x 200	M 8	1800	10	36 x 13.8	28 x 8.6	M 8 x 200	186	200	50	80388
ClickEasy HBS 10 x 30	M 10	1800	15	36 x 13.8	28 x 10.6	M 10 x 30	16	30	50	80379
ClickEasy HBS 10 x 40	M 10	1800	15	36 x 13.8	28 x 10.6	M 10 x 40	26	40	50	80380
ClickEasy HBS 10 x 50	M 10	1800	15	36 x 13.8	28 x 10.6	M 10 x 50	36	50	50	80381

ClickEasy K

Similar to the ClickEasy, but fitted with KS ball hanger.

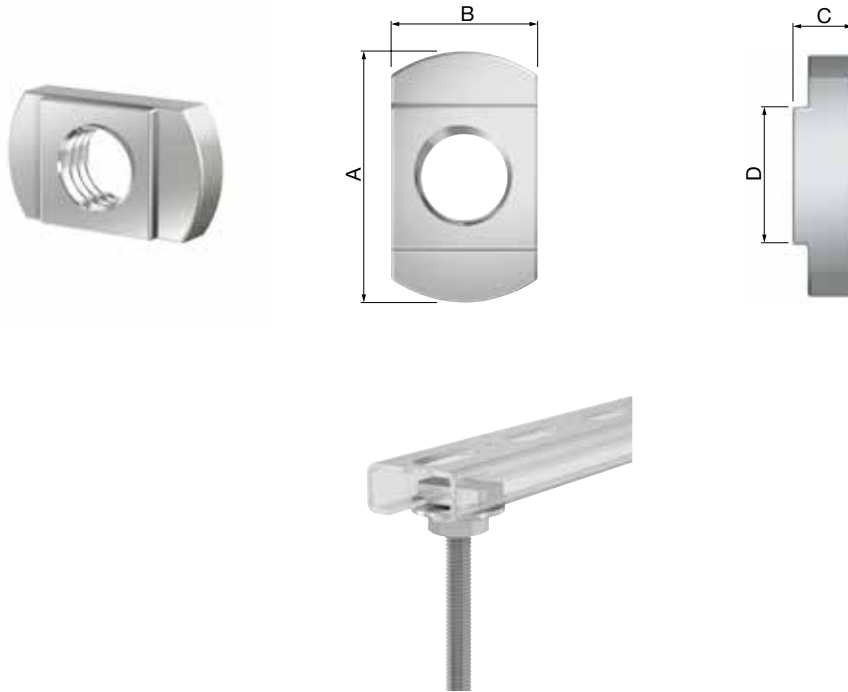


Type	Connection	Max. working load [N]	Max. tightening torque [Nm]	Rail nut (C) [mm]	Locking washer (D x d) [mm]	Ball hanger	Dimensions			Order Code
							A [mm]	B [mm]		
ClickEasy K 8	M 8	1800	10	36 x 13.8	28 x 8.6	KS 8 x 8	50	13	50	80391
ClickEasy K 10	M 10	1800	10	36 x 13.8	28 x 10.6	KS 10 x 10	50	13	50	80392

M..s Sliding Nuts

For easy mounting of a suspension in Flamco rail.

- Electrolytically zinc-plated.

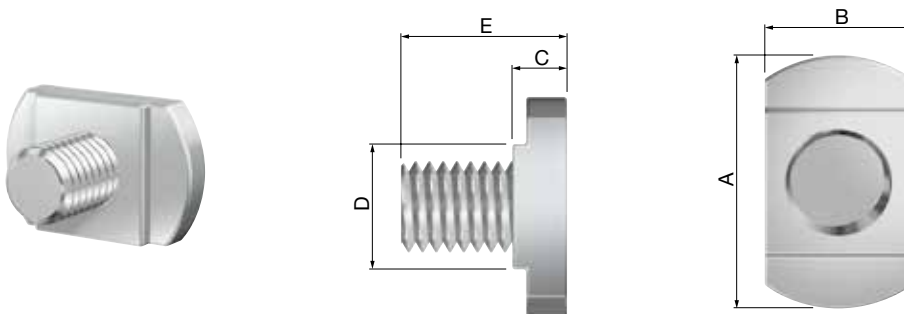


Type	Suitable for rail	Connection	Dimensions					Order Code
			A [mm]	B [mm]	C [mm]	D [mm]		
M 6s	R 0 - 8	M 6	23	15	5	14	1000	80301
M 8s	R 0 - 8	M 8	23	15	5	14	1000	80302
M 10s	R 0 - 8	M 10	23	15	5	14	1000	80303
M 12s	R 0 - 8	M 12	25	22	6	14	250	80304

HB Hammer Head Bolts

For easy mounting of a suspension in Flamco rail.

- Electrolytically zinc-plated.



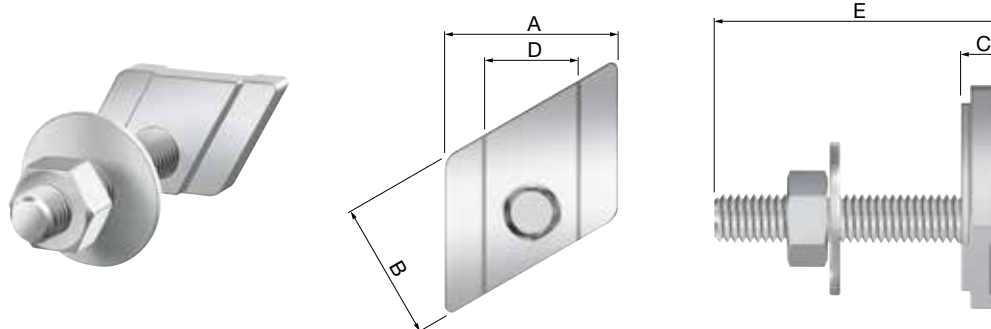
Type	Suitable for rail	Connection	Dimensions						Order Code
			A [mm]	B [mm]	C [mm]	D [mm]	E [mm]		
HB 6	R 0 - 8	M 6	24	14	5	14	14	500	70401
HB 8	R 0 - 8	M 8	24	14	5	14	15	500	70402
HB 10	R 0 - 8	M 10	24	14	5	14	17	500	70403
HB 12	R 0 - 8	M 12	24	14	6	14	20	500	70404



HBS Hammer Head Bolt Sets

The hammer head bolt set makes simple and fast mounting possible of Flamco pipe mounting material to all types of Flamco rail.

- Supplied complete with nut and washer.
- Electrolytically zinc-plated.
- Safety margin for minimal breaking load (M) = 3.



Type	Connection	Max. working load [N]	Dimensions						Order Code
			A [mm]	B [mm]	C [mm]	D [mm]	E [mm]		
HBS 8 x 25	M 8	3000	25	20	6.5	13.5	25	10	70450
HBS 8 x 30	M 8	3000	25	20	6.5	13.5	30	10	70451
HBS 8 x 40	M 8	3000	25	20	6.5	13.5	40	10	70452
HBS 8 x 50	M 8	3000	25	20	6.5	13.5	50	10	70453
HBS 8 x 60	M 8	3000	25	20	6.5	13.5	60	10	70454
HBS 8 x 70	M 8	3000	25	20	6.5	13.5	70	10	70455
HBS 8 x 80	M 8	3000	25	20	6.5	13.5	80	10	70456
HBS 8 x 90	M 8	3000	25	20	6.5	13.5	85	10	70457
HBS 8 x 100	M 8	3000	25	20	6.5	13.5	100	10	70458
HBS 8 x 120	M 8	3000	25	20	6.5	13.5	120	10	70459
HBS 8 x 150	M 8	3000	25	20	6.5	13.5	150	10	70460
HBS 8 x 200	M 8	3000	25	20	6.5	13.5	200	10	70461
HBS 10 x 25	M 10	3000	25	20	6.5	13.5	25	10	70462
HBS 10 x 40	M 10	3000	25	20	6.5	13.5	40	10	70463
HBS 10 x 60	M 10	3000	25	20	6.5	13.5	60	10	70464
HBS 10 x 80	M 10	3000	25	20	6.5	13.5	80	10	70465
HBS 10 x 100	M 10	3000	25	20	6.5	13.5	100	10	70466

NUTS

For easy mounting of a suspension in Flamco rail.

- Electrolytically zinc-plated.

M Nuts

Type	Spanner size (SW)	Connection	Height of nut [mm]		Order Code
M 6	10	M 6	5	1000	70201
M 8	13	M 8	6.5	1000	70202
M 10	17	M 10	8	1000	70203
M 12	19	M 12	10	500	70204
M 16	24	M 16	13	250	70205
M 20	30	M 20	16	100	70206



M..h Nuts

Type	Spanner size (SW)	Connection	Height of nut [mm]		Order Code
M 6h	10	M 6	2.5	1000	70101
M 8h	13	M 8	3	1000	70102
M 10h	17	M 10	4	1000	70103



WASHERS

For easy mounting of a suspension in Flamco rail.

- Electrolytically zinc-plated.

S Washers

Type	Connection (A)	Dimensions			Order Code
		B [mm]	C [mm]		
S 6	M 6	14	0.8	250	70801
S 8	M 8	18	1.5	250	70802
S 10	M 10	22	1.5	250	70803
S 12	M 12	28	2.0	1000	70804
S 16	M 16	33	2.0	250	70805
S 20	M 20	40	2.5	250	70806
S 6s	M 6	25	2.0	1000	70811
S 8s	M 8	28	2.0	1000	70812
S 10s	M 10	28	2.0	1000	70813
S 8 SR	M 8	40	3.5	100	70832
S 10 SR	M 10	40	3.5	100	70833
S 12 SR	M 12	40	5.0	100	70834
S 16 SR	M 16	40	6.5	25	70835

CLAMPING PLATES

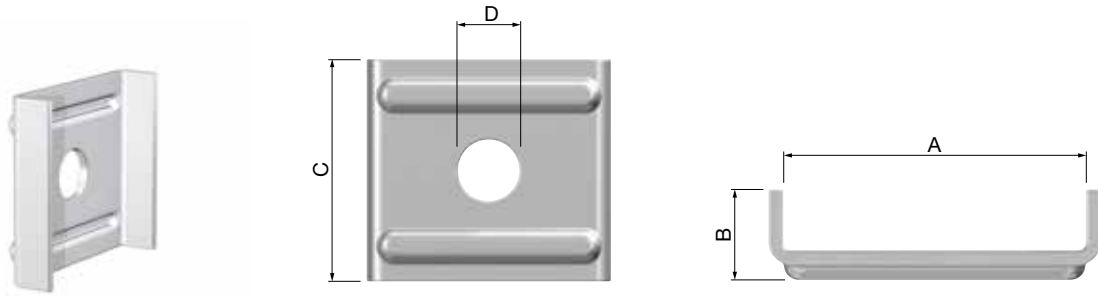
For easy mounting of a suspension in Flamco rail.

- Electrolytically zinc-plated.

SP Clamping Plates

Type	Suitable for rail	Connection	Dimensions					Order Code
			A [mm]	B [mm]	C [mm]	D [mm]		
SP 8	R 2 - 4	M 8	34	7	25	8.5	100	80608
SP 10	R 2 - 4	M 10	34	7	25	10.5	100	80610
SP 12	R 2 - 4	M 12	34	7	25	12.5	100	80612

SP..SR Clamping Plates



Type	Suitable for rail	Connection	Dimensions					Order Code
			A [mm]	B [mm]	C [mm]	D [mm]		
SP 8 SR	R 6 - 8	M 8	40	12	40	8.5	50	80632
SP 10 SR	R 6 - 8	M 10	40	12	40	11.5	50	80634

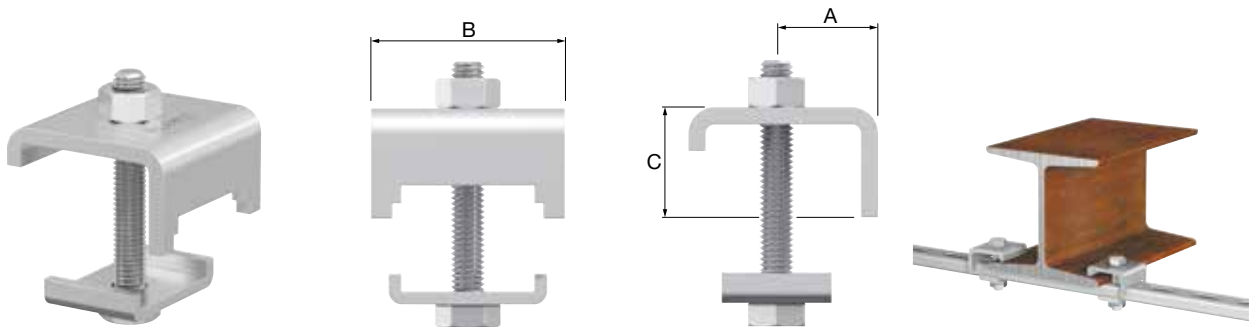
RAIL GIRDER CLIPS

RB Rail Girder Clips

For mounting Flamco rail to steel profiles without drilling or welding.
Can be used in combination with Flamco rails R 1 - 8.

- Load depends on Flamco rail.
- Supplied complete with upper plate and lower plate, nut and bolt.
- Electrolytically zinc-plated.

N.B.: Two RB clips per fixing.



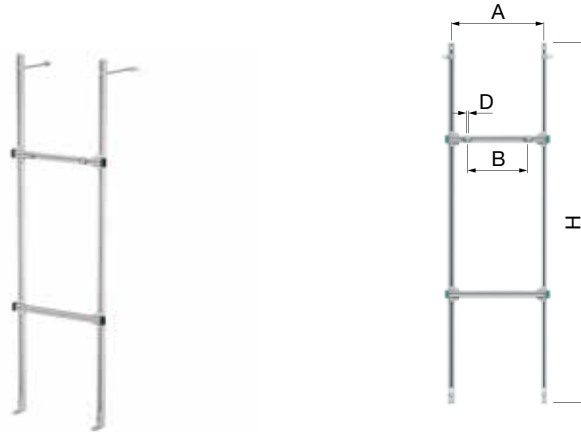
Type	Suitable for rail	Bolt	Max. clamping height (C) [mm]	Dimensions			Order Code
				A [mm]	B [mm]		
RB 1	R 1	M 8 x 55	15	20	44	50	80601
RB 2	R 2	M 8 x 55	15	20	44	50	80602
RB 3 / 4	R 3 - 4	M 10 x 80	15	20	44	50	80604
RB 6	R 6	M 10 x 100	15	20	50	50	80603
RB 7 / 8	R 7 - 8	M 10 x 80	15	20	50	10	80605


GAS WALL BOILER CONSOLES

GWK Boiler Console

Console for domestic wall hung boilers.

- Parts zinc-plated, uprights galvanized.
- HS brackets for making various structures with Flamco rail.
- HS brackets are zinc-plated.



Type	Connection (D)	Dimensions				Order Code
		A [mm]	B [mm]	H [mm]		
GWK 490	M 8	490	460	1700	1	71750
GWK 650	M 8	650	620	1700	1	71751
GWK 900	M 8	900	870	1700	1	71752