



flamco

Flamcomat MP G4

60 Hz

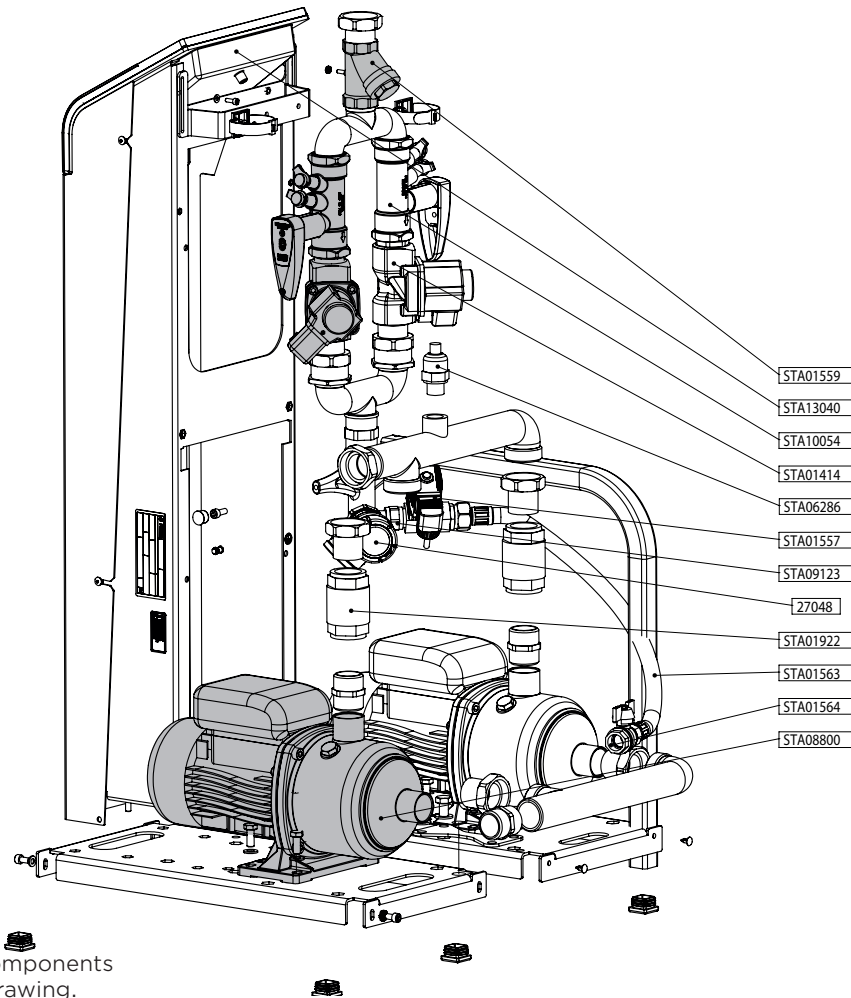
Spare Part Chart



that's excellence.

Flamcomat MP G4 60Hz D02

Article number: 17547

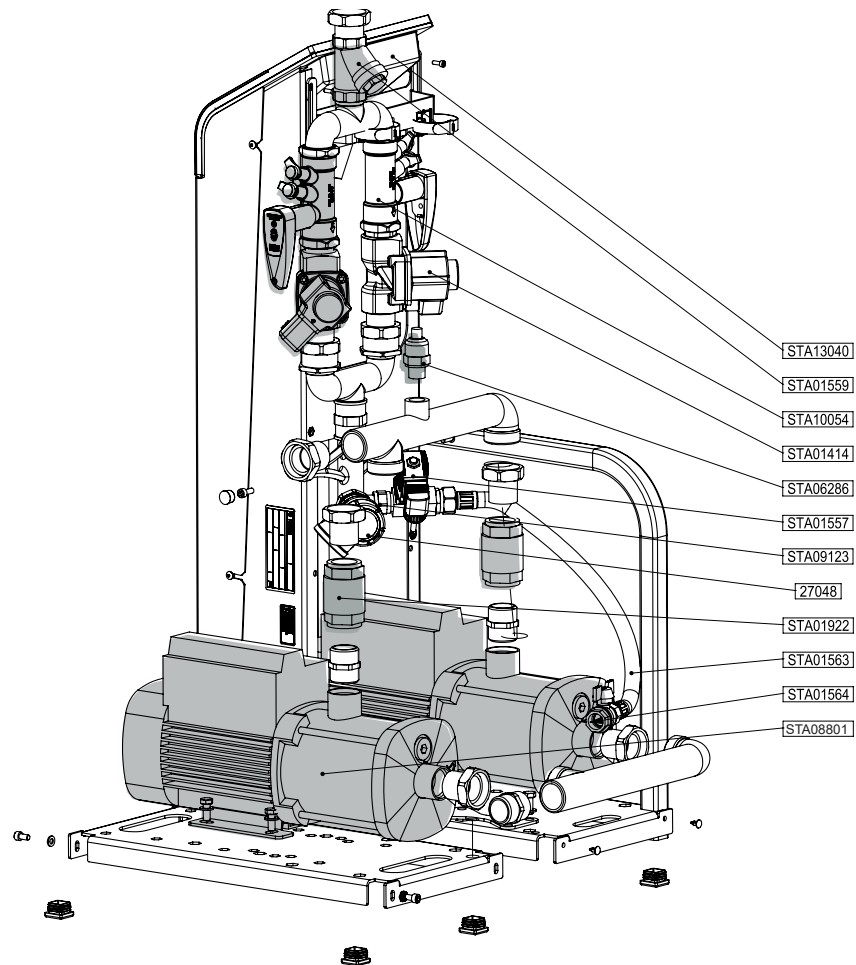


For good visibility some components may not be shown in the drawing.

#	Part name	Part number
1	Flextronic	STA13040
2	Strainer 1"	STA01559
3	Balancing valve DN25S	STA10054
4	Pressure sensor ½" 0-16 bar	STA06286
5	Solenoid valve 1" refill	STA01414
6	Non return valve 1"	STA01922
7	Solenoid valve ½" refill	STA01557
8	Non-return valve ½"	STA09123
9	Prescor Safety Valve Rp1" x Rp1¼" 3.0bar	27048
10	Hose for watermeter ¾" x ½"	STA01563
11	Replacement pump (M0/M01/M02/D0/D01/D02)	STA08800
12	Ball valve ½"	STA01564

Flamcomat MP G4 60Hz D10

Article number: 17548

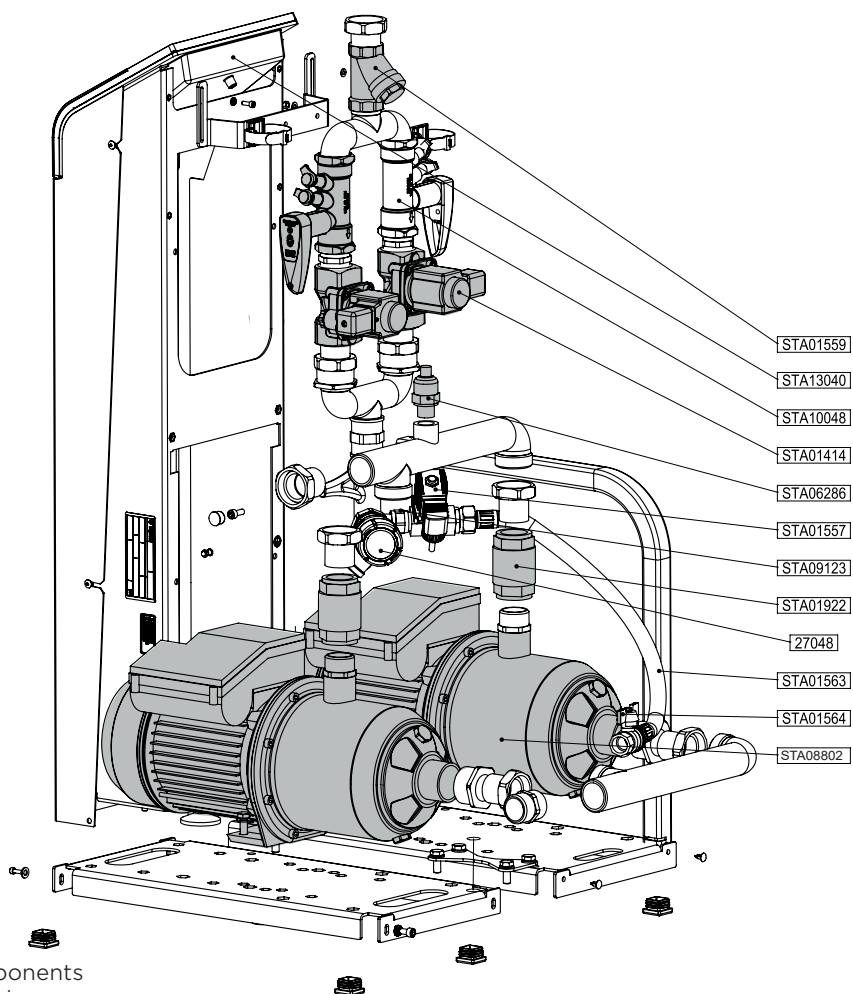


For good visibility some components may not be shown in the drawing.

#	Part name	Part number
1	Flextronic Controller	STA13040
2	Strainer 1"	STA01559
3	Balancing valve DN25S	STA10054
4	Solenoid valve 1" refill	STA01414
5	Pressure sensor 1/2" 0-16 bar	STA06286
6	Solenoid valve 1/2" refill	STA01557
7	Non-return valve 1/2"	STA09123
8	Non return valve 1"	STA01922
9	Prescor Safety Valve Rp1" x Rp1 1/4" 3.0bar	27048
10	Hose for watermeter 3/4" x 1/2"	STA01563
11	Replacement pump (M10/D10)	STA08801
12	Ball valve 1/2"	STA01564

Flamcomat MP G4 60Hz D20

Article number: 17549

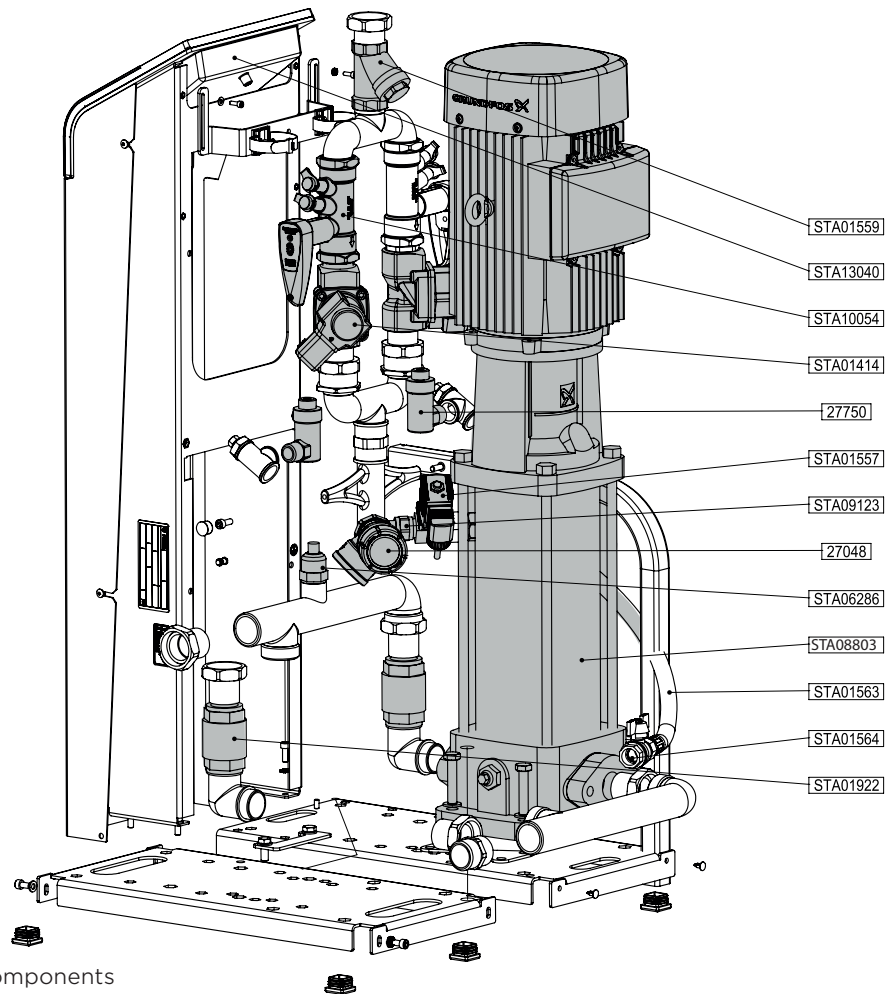


For good visibility some components may not be shown in the drawing.

#	Part name	Part number
1	Flextronic Controller	STA13040
2	Strainer 1"	STA01559
3	Balancing valve DN25H	STA10048
4	Solenoid valve 1" refill	STA01414
5	Solenoid valve 1/2" refill	STA01557
6	Pressure sensor 1/2" 0-16 bar	STA06286
7	Non-return valve 1/2"	STA09123
8	Prescor Safety Valve Rp1" x Rp1 1/4" 3.0bar	27048
9	Non return valve 1"	STA01922
10	Replacement pump (M20/D20)	STA08802
11	Hose for watermeter 3/4" x 1/2"	STA01563
12	Ball valve 1/2"	STA01564

Flamcomat MP G4 60Hz D60

Article number: 17550

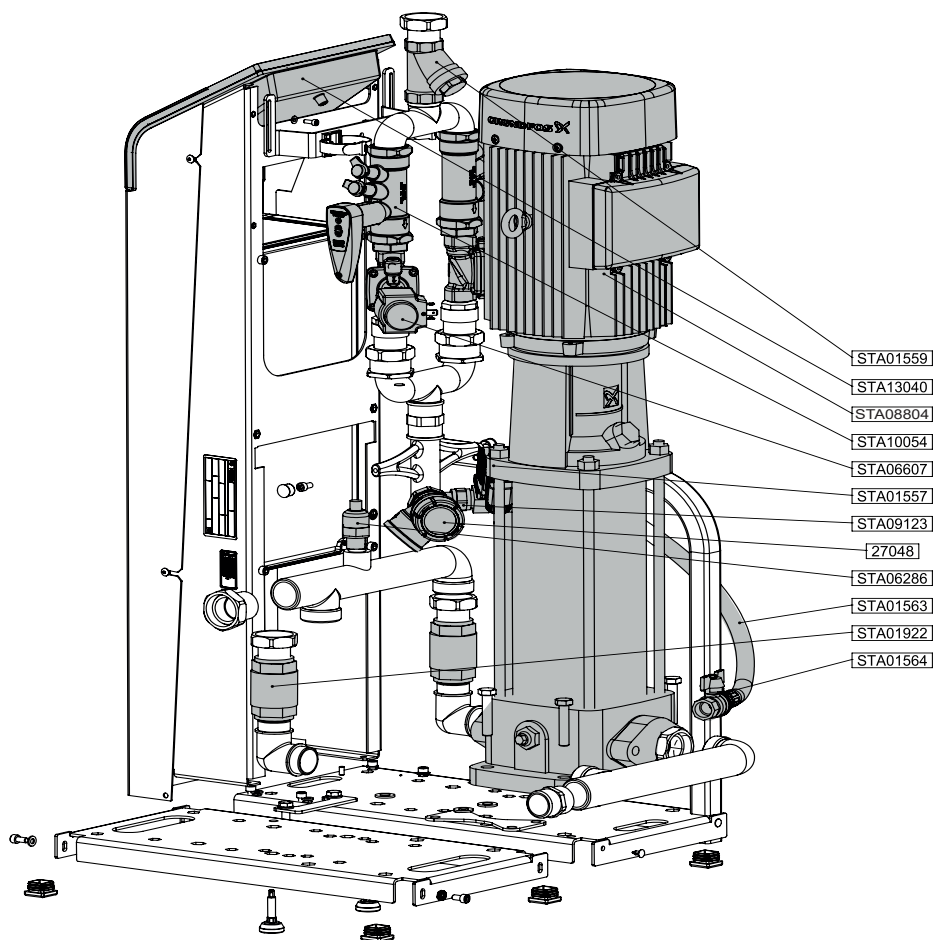


For good visibility some components may not be shown in the drawing.

#	Part name	Part number
1	Flextronic Controller	STA13040
2	Strainer 1"	STA01559
3	Balancing valve DN25S	STA10054
4	Flexvent float vent R3/8"	27750
5	Solenoid valve 1" refill	STA01414
6	Solenoid valve ½" refill	STA01557
7	Non-return valve ½"	STA09123
8	Prescor Safety Valve Rp1" x Rp1¼" 3.0bar	27048
9	Pressure sensor ½" 0-16 bar	STA06286
10	Replacement pump (M60/D60)	STA08803
11	Non return valve 1"	STA01922
12	Hose for watermeter ¾" x ½"	STA01563
13	Ball valve ½"	STA01564

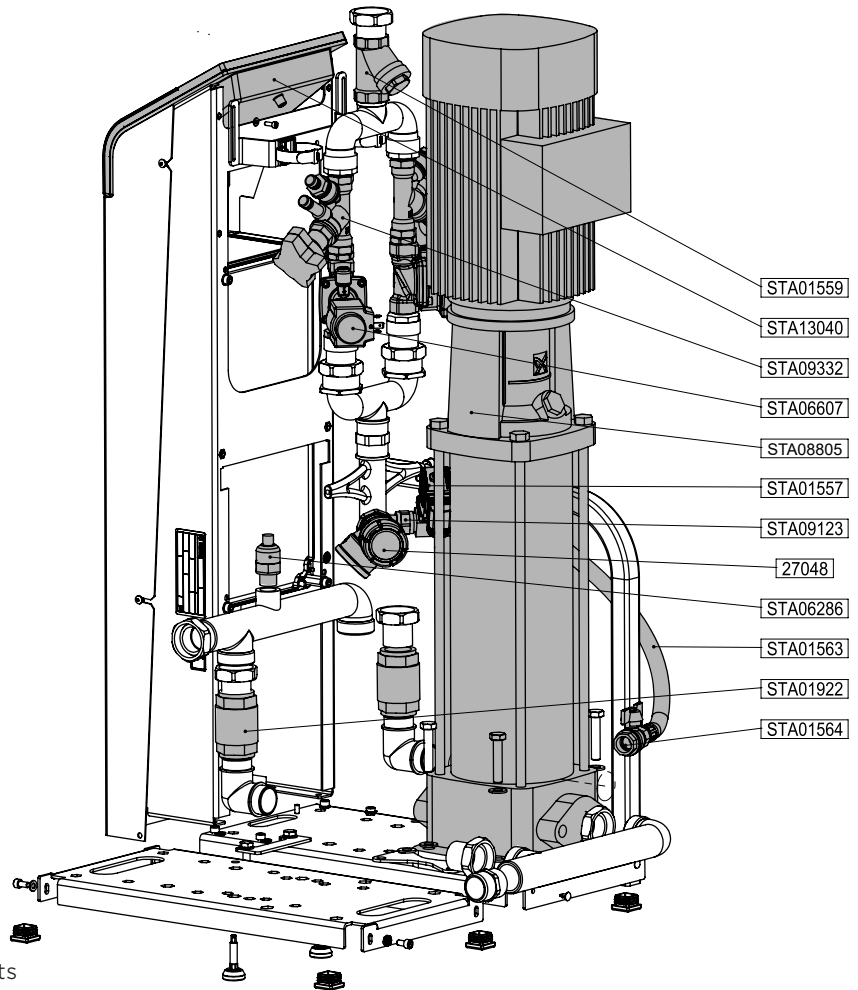
Flamcomat MP G4 60Hz D80

Article number: 17551



For good visibility some components may not be shown in the drawing.

#	Part name	Part number
1	Flextronic Controller	STA13040
2	Strainer 1"	STA01559
3	Balancing valve DN25S	STA10054
4	Solenoid valve ½"	STA06607
5	Solenoid valve ½" refill	STA01557
6	Non-return valve ½"	STA09123
7	Prescor Safety Valve Rp1" x Rp1¼" 3.0bar	27048
8	Replacement pump (M80/D80)	STA08804
9	Pressure sensor ½" 0-16 bar	STA06286
10	Hose for watermeter ¾" x ½"	STA01563
11	Non return valve 1"	STA01922
12	Ball valve ½"	STA01564

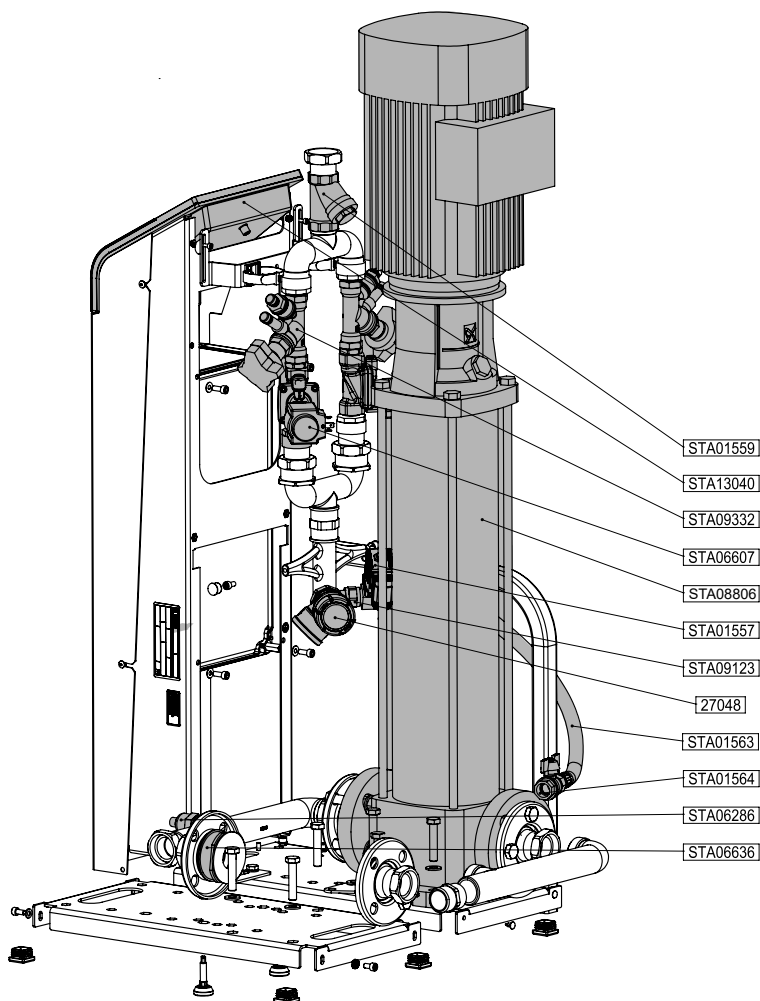
Flamcomat MP G4 60Hz D100**Article number:** 17552

For good visibility some components may not be shown in the drawing.

#	Part name	Part number
1	Strainer 1"	STA01559
2	Flextronic Controller	STA13040
3	Control valve ½"	STA09332
4	Solenoid valve ½"	STA06607
5	Replacement pump (M100/D100)	STA08805
6	Solenoid valve ½" refill	STA01557
7	Non-return valve ½"	STA09123
8	Prescor Safety Valve Rp1" x Rp1¼" 3.0bar	27048
9	Pressure sensor ½" 0-16 bar	STA06286
10	Hose for watermeter ¾" x ½"	STA01563
11	Non return valve 1"	STA01922
12	Ball valve ½"	STA01564

Flamcomat MP G4 60Hz D130

Article number: 17553



For good visibility some components may not be shown in the drawing.

#	Part name	Part number
1	Strainer 1"	STA01559
2	Flextronic Controller	STA13040
3	Control valve ½"	STA09332
4	Solenoid valve ½"	STA06607
5	Replacement pump (M130/D130)	STA08806
6	Solenoid valve ½" refill	STA01557
7	Non-return valve ½"	STA09123
8	Prescor Safety Valve Rp1" x Rp1¼" 3.0bar	27048
9	Hose for watermeter ¾" x ½"	STA01563
10	Ball valve ½"	STA01564
11	Pressure sensor ½" 0-16 bar	STA06286
12	Non return valve M60/D130 (SPC)	STA06636

Copyright Flamco B.V., Almere, the Netherlands. No part of this publication may be reproduced or published in any way without explicit permission and mention of the source. The data listed are solely applicable to Flamco products. Flamco B.V. shall accept no liability whatsoever for incorrect use, application or interpretation of the technical information. Flamco B.V. reserves the right to make technical alterations.

Aalberts hydronic flow control (Flamco)

Fort Blauwkapel 1 / 1358 LB Almere
the Netherlands
+31 36 52 62 300 / info@aalberts-hfc.com

flamco.aalberts-hfc.com



flamco