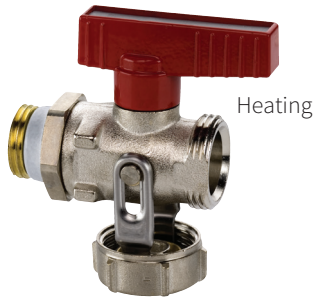


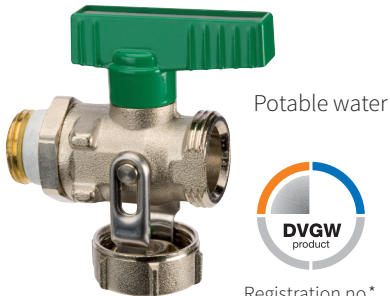


KFE Ball Valves

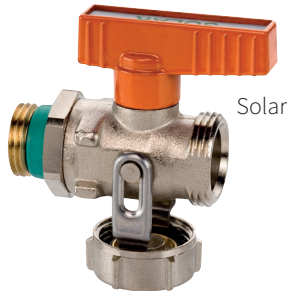
- Version:**
- ▶ for heating systems
 - ▶ for potable water* and heating systems
 - ▶ for solar systems



Heating



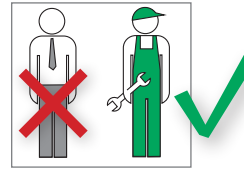
Potable water



Solar



Registration no.*
DW-6102BR0516



Only allow work on heating and potable water systems to be performed by qualified personnel and in accordance with the respective applicable regulations, guidelines and rules of engineering.



Refer in particular to:

- DIN 14336** Heating systems in buildings - Installation
- DIN 18380** Heating systems and central hot water supply systems
- VDI 2035** Scale formation in potable water heating systems and water heating systems
- BGV** German Professional Association Regulations (accident prevention regulations)

For the potable water version additionally:

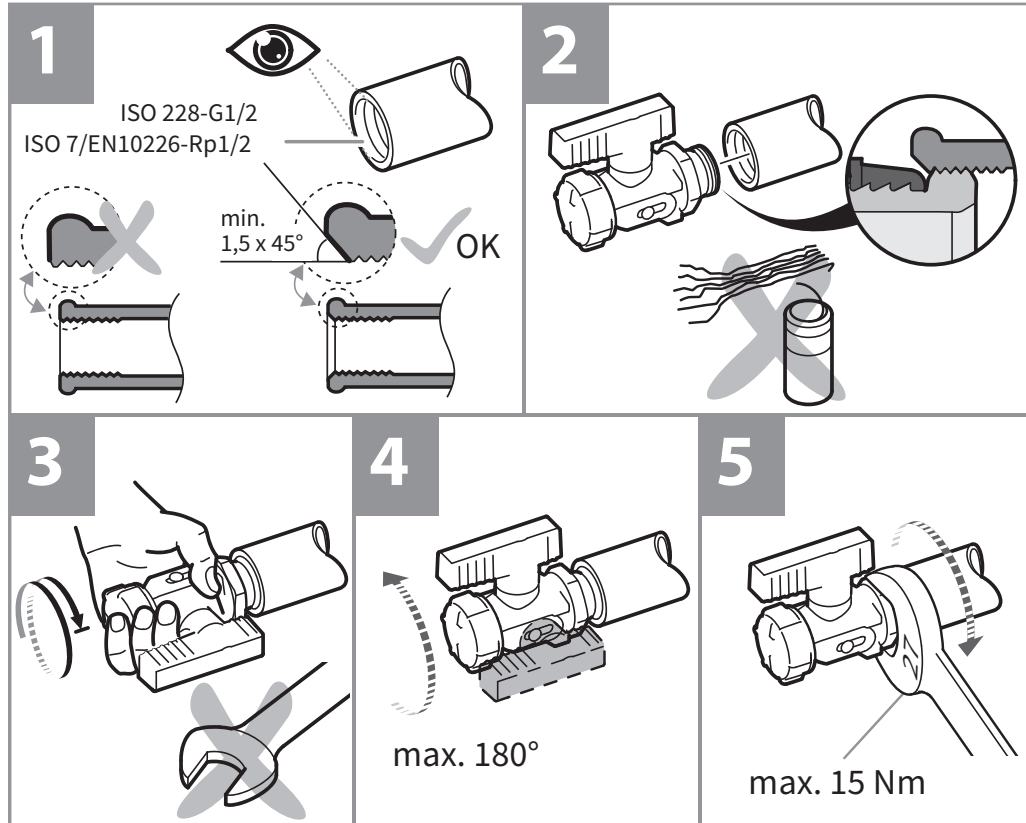
- DIN 1988** Technical rules for potable water installations
- EN 1717** Protection against pollution of domestic water
- TrinkwV** German Potable Water Ordinance

For the solar version additionally:

- DIN 12975** Thermal solar systems and its components

(DIN = The German Institute for Standardisation
EN = European Standards
VDI = Association of German Engineers)

Installation



WS 27

The illustrations are symbolic and may differ from the respective product.
Errors and technical changes reserved.